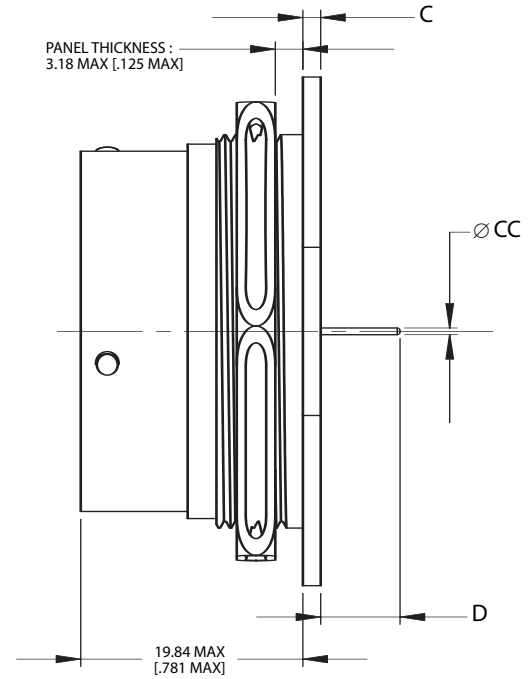
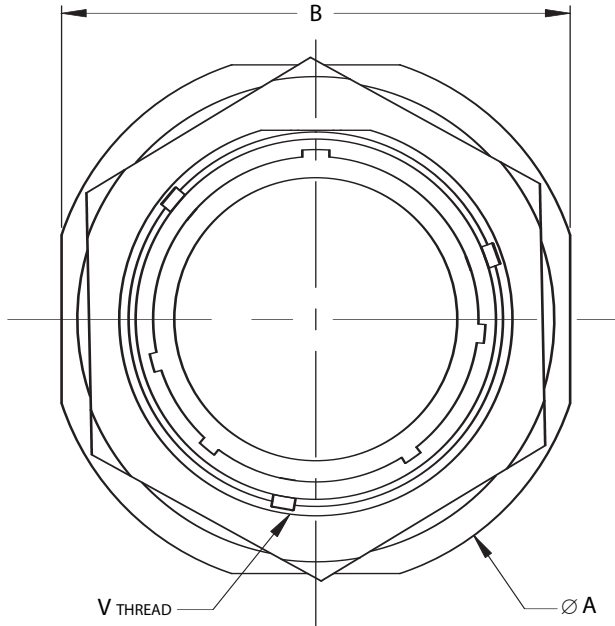


AE83394

**Jam Nut Receptacle with Pin Tail for PCB
per MIL-DTL-83723 Series III**



MIL-DTL-83723 S III

Contact Size	∅ CC	
	mm	inch
20	0.84	.033
16	Consult factory	
12	Consult factory	

Shell Size	∅ A		B		C		D		V
	Maximum		±0.13	±.005	±0.5	±.020	Maximum		Thread
	mm	inch	mm	inch	mm	inch	mm	inch	Class 2A
8	27.13	1.068	24.87	.979	2.97	.117	4.64	.183	5/8-20 UN
10	30.28	1.192	28.04	1.104	2.97	.117	4.64	.183	3/4-20 UNEF
12	35.05	1.380	32.79	1.291	2.97	.117	4.64	.183	15/16-20 UNEF
14	38.23	1.505	35.33	1.391	2.97	.117	4.64	.183	1-20 UNEF
16	41.40	1.630	38.51	1.516	2.97	.117	4.64	.183	1-1/8-20 UN
18	44.83	1.765	41.68	1.641	2.97	.117	4.64	.183	1-1/4 UN
20	47.24	1.860	44.86	1.766	2.97	.117	4.64	.183	1-3/8-18 UNEF
22	52.53	2.068	49.63	1.954	3.76	.148	3.85	.152	1-1/2-20 UN
24	54.86	2.160	52.81	2.079	3.76	.148	3.85	.152	1-5/8-18 UNEF



Tightening Torque of Jam Nut

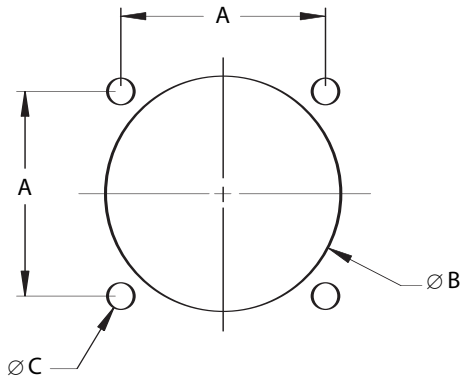


Note: For recommended service use, torque settings to be in accordance with the table below.

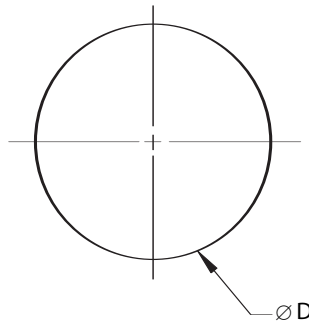
Shell Size	Torque	
	±10%	±10%
	N.m	in.lbs
8	7	62
10	10	89
12	12	106
14	15	133
16	18	160
18	22	195
20	25	222
22	27	239
24	29	257

Panel Cutouts

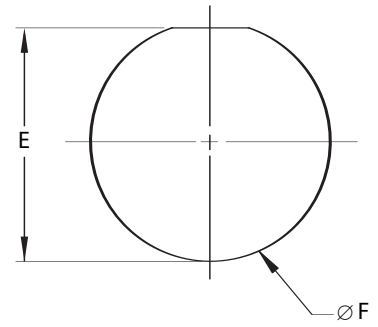
AE83379 / AE83388
 Box Mount Receptacle



AE83380 / AE83393 / AE83390
 Solder Mount Receptacle



AE83381 / AE83394 / AE83389
 Jam Nut Receptacle



MIL-DTL-83723 S III

Shell Size	A		Ø B		Ø B		Ø C		Ø D		E		Ø F	
	(TP)		Back Mounting Minimum		Front Mounting Minimum		0.00	.000	±0.13	±.005	±0.13	±.005	±0.13	±.005
	mm	inch	mm	inch	mm	inch	mm	inch	mm	inch	mm	inch	mm	inch
8	15.09	.594	15.75	.620	12.95	.510	3.18	.125	12.96	.510	15.37	.605	16.13	.635
10	18.26	.719	19.00	.750	16.13	.635	3.18	.125	14.53	.572	18.54	.730	19.30	.760
12	20.62	.812	23.32	.918	19.30	.760	3.18	.125	19.30	.760	23.29	.917	24.05	.947
14	23.01	.906	25.10	.988	22.48	.885	3.18	.125	20.88	.822	24.89	.980	25.65	1.010
16	24.61	.969	28.30	1.114	25.65	1.010	3.18	.125	24.05	.947	28.07	1.105	28.83	1.135
18	26.97	1.062	30.99	1.220	27.23	1.072	3.18	.125	27.23	1.072	31.12	1.225	32.00	1.260
20	29.36	1.156	34.19	1.346	30.40	1.197	3.18	.125	30.40	1.197	34.29	1.350	35.18	1.385
22	31.75	1.250	37.34	1.470	33.58	1.322	3.18	.125	33.58	1.322	37.46	1.475	38.35	1.510
24	34.92	1.375	40.54	1.596	36.63	1.442	3.91	.154	36.75	1.447	40.64	1.600	41.53	1.635