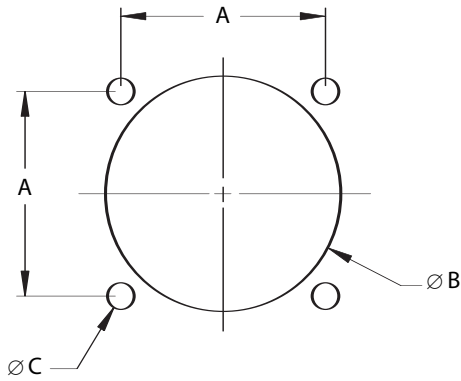


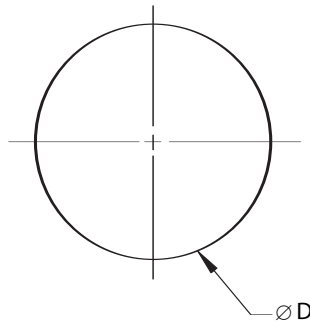
Shell Size	Ø B		Ø C		F		G		E				Ø W	
	Maximum		Maximum		±0.17	±.007	±0.38	±.015	#20 Maximum	#16 & #12 Maximum			±0.50	±.020
	mm	inch	mm	inch	mm	inch	mm	inch	mm	inch	mm	inch	mm	inch
8	12.70	.500	14.25	.561	1.40	.055	2.36	.093	5.17	.204	6.95	.274	18.80	.740
10	14.27	.562	17.68	.696	1.40	.055	2.36	.093	5.17	.204	6.95	.274	21.34	.840
12	19.05	.750	22.23	.875	1.40	.055	2.36	.093	5.17	.204	6.95	.274	26.54	1.045
14	20.62	.812	23.75	.935	1.40	.055	2.36	.093	5.17	.204	6.95	.274	27.69	1.090
16	23.80	.937	26.97	1.062	1.40	.055	2.36	.093	5.17	.204	6.95	.274	30.73	1.210
18	26.97	1.062	30.15	1.187	1.40	.055	2.36	.093	5.17	.204	6.95	.274	34.04	1.340
20	30.15	1.187	33.32	1.312	1.40	.055	2.36	.093	5.17	.204	6.95	.274	36.32	1.430
22	33.32	1.312	36.50	1.437	1.40	.055	2.36	.093	5.17	.204	6.95	.274	40.39	1.590
24	36.50	1.437	39.67	1.562	1.40	.055	2.36	.093	5.17	.204	6.95	.274	43.43	1.710

Panel Cutouts

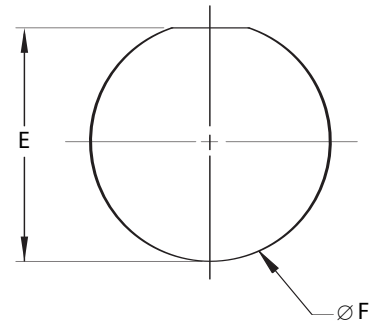
AE83379 / AE83388
 Box Mount Receptacle



AE83380 / AE83393 / AE83390
 Solder Mount Receptacle



AE83381 / AE83394 / AE83389
 Jam Nut Receptacle



MIL-DTL-83723 S III

Shell Size	A		Ø B		Ø B		Ø C		Ø D		E		Ø F	
	(TP)		Back Mounting Minimum		Front Mounting Minimum		0.00 .000 -0.23 -0.09		±0.13 ±.005		±0.13 ±.005		±0.13 ±.005	
	mm	inch	mm	inch	mm	inch	mm	inch	mm	inch	mm	inch	mm	inch
8	15.09	.594	15.75	.620	12.95	.510	3.18	.125	12.96	.510	15.37	.605	16.13	.635
10	18.26	.719	19.00	.750	16.13	.635	3.18	.125	14.53	.572	18.54	.730	19.30	.760
12	20.62	.812	23.32	.918	19.30	.760	3.18	.125	19.30	.760	23.29	.917	24.05	.947
14	23.01	.906	25.10	.988	22.48	.885	3.18	.125	20.88	.822	24.89	.980	25.65	1.010
16	24.61	.969	28.30	1.114	25.65	1.010	3.18	.125	24.05	.947	28.07	1.105	28.83	1.135
18	26.97	1.062	30.99	1.220	27.23	1.072	3.18	.125	27.23	1.072	31.12	1.225	32.00	1.260
20	29.36	1.156	34.19	1.346	30.40	1.197	3.18	.125	30.40	1.197	34.29	1.350	35.18	1.385
22	31.75	1.250	37.34	1.470	33.58	1.322	3.18	.125	33.58	1.322	37.46	1.475	38.35	1.510
24	34.92	1.375	40.54	1.596	36.63	1.442	3.91	.154	36.75	1.447	40.64	1.600	41.53	1.635