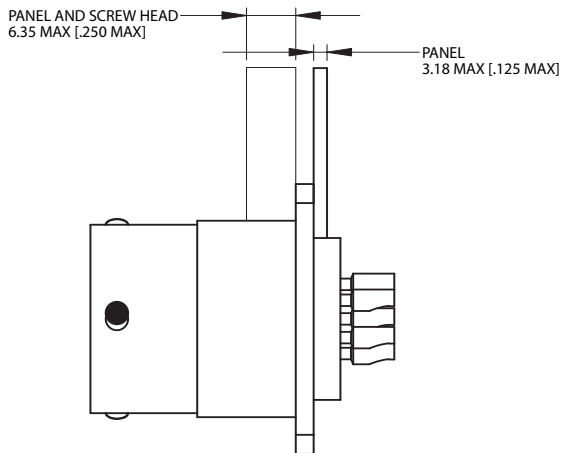
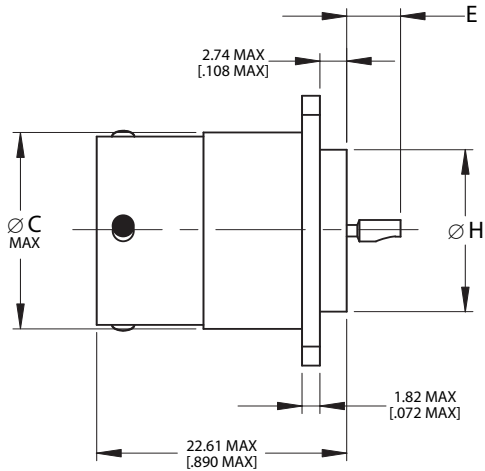
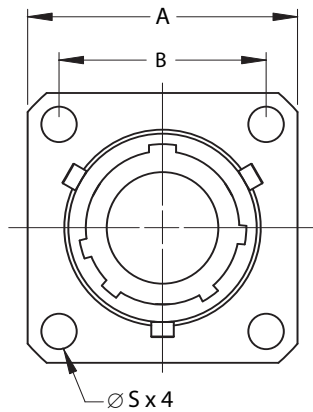


AE83379

Box Mount Receptacle with Solder Terminals

83723/79

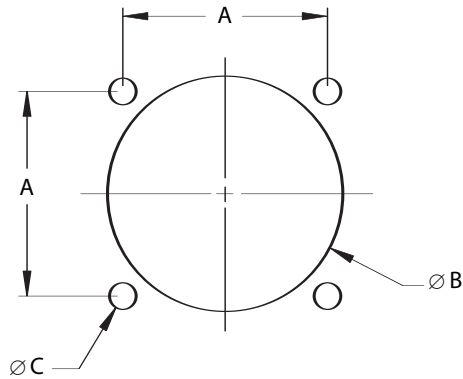


MIL-DTL-83723 S III

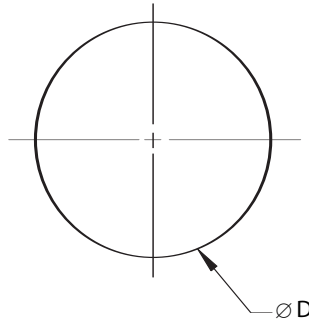
| Shell Size | A | | B | | ψC | | E | | | | ∅H | | ∅S | |
|------------|---------|-------|-------|-------|---------|-------|-------------|------|---------------------|------|---------|-------|-------|-------|
| | Maximum | | (TP) | | Maximum | | #20 Maximum | | #16 and #12 Maximum | | Maximum | | ±0.13 | ±.005 |
| | mm | inch | mm | inch | mm | inch | mm | inch | mm | inch | mm | inch | mm | inch |
| 8 | 20.75 | .817 | 15.09 | .594 | 14.25 | .561 | 5.08 | .200 | 6.86 | .270 | 12.70 | .500 | 3.05 | .120 |
| 10 | 23.93 | .942 | 18.26 | .719 | 17.68 | .696 | 5.08 | .200 | 6.86 | .270 | 14.27 | .562 | 3.05 | .120 |
| 12 | 26.32 | 1.036 | 20.62 | .812 | 22.23 | .875 | 5.08 | .200 | 6.86 | .270 | 19.05 | .750 | 3.05 | .120 |
| 14 | 28.71 | 1.130 | 23.01 | .906 | 23.75 | .935 | 5.08 | .200 | 6.86 | .270 | 20.62 | .812 | 3.05 | .120 |
| 16 | 31.88 | 1.255 | 24.61 | .969 | 26.97 | 1.062 | 5.08 | .200 | 6.86 | .270 | 23.80 | .937 | 3.05 | .120 |
| 18 | 34.24 | 1.348 | 26.97 | 1.062 | 30.15 | 1.187 | 5.08 | .200 | 6.86 | .270 | 26.97 | 1.062 | 3.05 | .120 |
| 20 | 36.63 | 1.442 | 29.36 | 1.156 | 33.32 | 1.312 | 5.08 | .200 | 6.86 | .270 | 30.15 | 1.187 | 3.05 | .120 |
| 22 | 39.80 | 1.567 | 31.75 | 1.250 | 36.50 | 1.437 | 5.08 | .200 | 6.86 | .270 | 33.32 | 1.312 | 3.05 | .120 |
| 24 | 43.39 | 1.708 | 34.92 | 1.375 | 39.67 | 1.562 | 5.08 | .200 | 6.86 | .270 | 36.50 | 1.437 | 3.78 | .149 |

Panel Cutouts

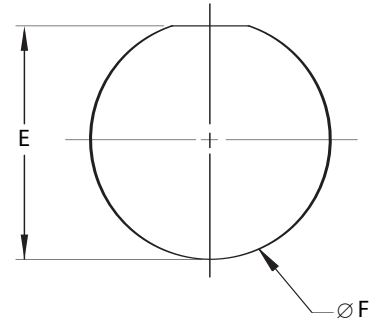
AE83379 / AE83388
 Box Mount Receptacle



AE83380 / AE83393 / AE83390
 Solder Mount Receptacle



AE83381 / AE83394 / AE83389
 Jam Nut Receptacle



| Shell Size | A | | Ø B | | Ø B | | Ø C | | Ø D | | E | | Ø F | |
|------------|-------|-------|-----------------------|-------|------------------------|-------|---------------|------|-------------|-------|-------------|-------|-------------|-------|
| | (TP) | | Back Mounting Minimum | | Front Mounting Minimum | | 0.00 -0.23 | | ±0.13 ±.005 | | ±0.13 ±.005 | | ±0.13 ±.005 | |
| | mm | inch | mm | inch | mm | inch | mm | inch | mm | inch | mm | inch | mm | inch |
| 8 | 15.09 | .594 | 15.75 | .620 | 12.95 | .510 | 3.18 | .125 | 12.96 | .510 | 15.37 | .605 | 16.13 | .635 |
| 10 | 18.26 | .719 | 19.00 | .750 | 16.13 | .635 | 3.18 | .125 | 14.53 | .572 | 18.54 | .730 | 19.30 | .760 |
| 12 | 20.62 | .812 | 23.32 | .918 | 19.30 | .760 | 3.18 | .125 | 19.30 | .760 | 23.29 | .917 | 24.05 | .947 |
| 14 | 23.01 | .906 | 25.10 | .988 | 22.48 | .885 | 3.18 | .125 | 20.88 | .822 | 24.89 | .980 | 25.65 | 1.010 |
| 16 | 24.61 | .969 | 28.30 | 1.114 | 25.65 | 1.010 | 3.18 | .125 | 24.05 | .947 | 28.07 | 1.105 | 28.83 | 1.135 |
| 18 | 26.97 | 1.062 | 30.99 | 1.220 | 27.23 | 1.072 | 3.18 | .125 | 27.23 | 1.072 | 31.12 | 1.225 | 32.00 | 1.260 |
| 20 | 29.36 | 1.156 | 34.19 | 1.346 | 30.40 | 1.197 | 3.18 | .125 | 30.40 | 1.197 | 34.29 | 1.350 | 35.18 | 1.385 |
| 22 | 31.75 | 1.250 | 37.34 | 1.470 | 33.58 | 1.322 | 3.18 | .125 | 33.58 | 1.322 | 37.46 | 1.475 | 38.35 | 1.510 |
| 24 | 34.92 | 1.375 | 40.54 | 1.596 | 36.63 | 1.442 | 3.91 | .154 | 36.75 | 1.447 | 40.64 | 1.600 | 41.53 | 1.635 |