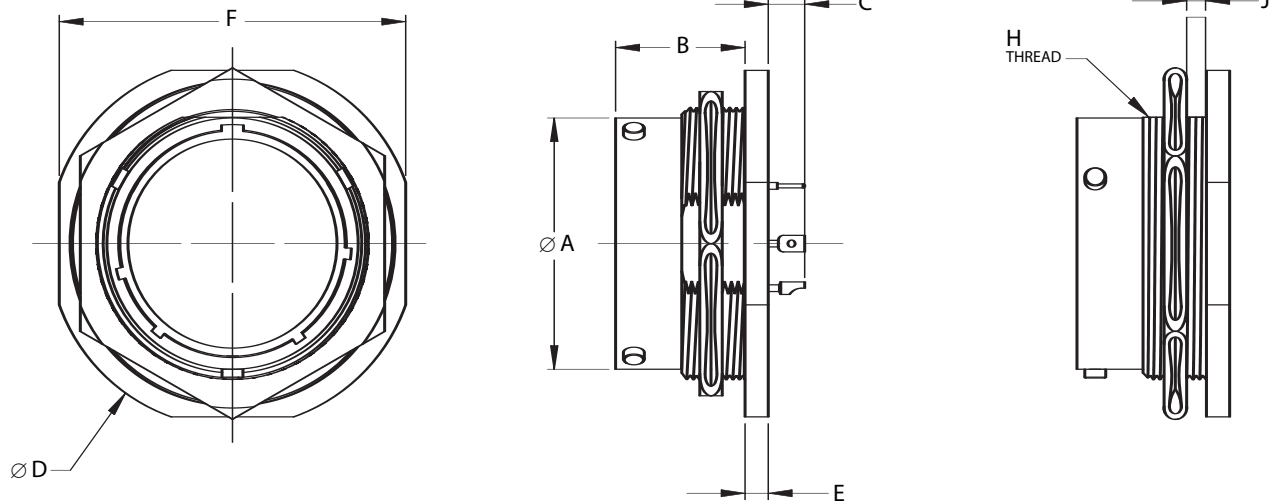


AE7707
Jam Nut Receptacle
 per HE302, EN3646, and NAS1599



	C #20		C #16 and #12	
	± 0.76	± 0.030	± 0.76	± 0.030
All Sizes	mm	inch	mm	inch
Solder Cup	*	*	1.50	.059
Eyelet	*	*	1.50	.059
Pin Tail	5.00	.197	5.00	.197



*Contacts sunken into shell.

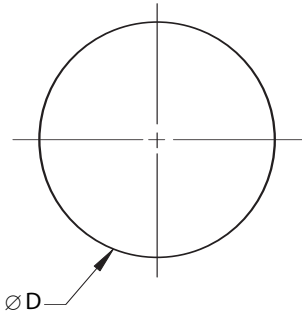
Shell Size	$\varnothing A$		B		$\varnothing D$		E		F		J	
	Maximum		Maximum		Maximum		Maximum		Maximum		Maximum	
	mm	inch	mm	inch	mm	inch	mm	inch	mm	inch	mm	inch
8	12.04	.474	17.80	.701	27.37	1.078	2.60	.102	24.10	.949	4.70	.185
10	15.02	.591	17.80	.701	30.57	1.204	2.60	.102	27.20	1.071	4.70	.185
12	19.08	.751	17.80	.701	35.32	1.391	2.60	.102	32.10	1.264	4.70	.185
14	22.25	.876	17.80	.701	38.50	1.516	2.60	.102	35.10	1.382	4.70	.185
16	25.33	.997	17.80	.701	41.67	1.641	2.60	.102	38.30	1.508	4.70	.185
18	28.60	1.126	17.80	.701	44.85	1.766	2.60	.102	41.50	1.634	4.70	.185
20	31.78	1.251	22.60	.890	49.62	1.954	3.40	.134	46.30	1.823	6.35	.250
22	34.95	1.376	22.60	.890	52.77	2.078	3.40	.134	49.50	1.949	6.35	.250
24	38.13	1.501	23.70	.933	55.97	2.204	3.40	.134	52.60	2.071	5.55	.219

MIL-DTL-26482 S 2

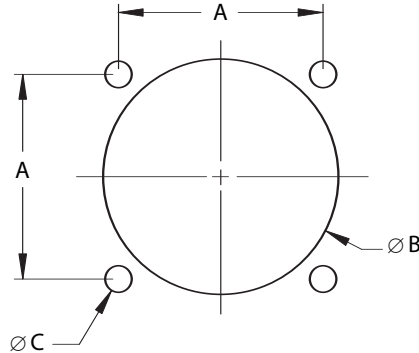


Panel Cutouts

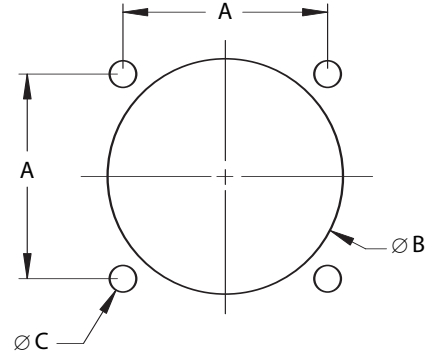
AE7701
Solder Mount Receptacle



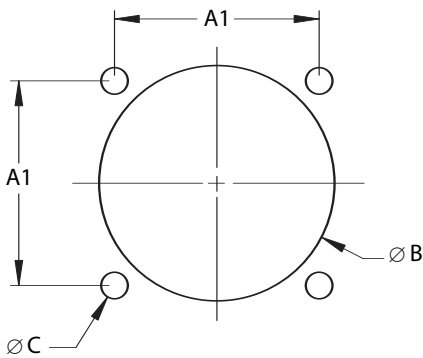
AE7702
Wall Mount Receptacle – Narrow



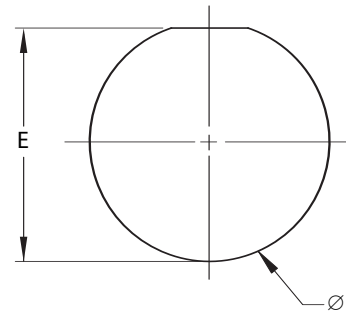
AE7702S
Wall Mount Receptacle – Short



AE7702L
Wall Mount Receptacle – Wide



AE7707
Jam Nut Receptacle



Shell Size	A		A1		Ø B		Ø C		Ø D		E		Ø F	
	(TP)		(TP)		Maximum		±0.15 ±.006		Maximum		Maximum		Maximum	
	mm	inch	mm	inch	mm	inch	mm	inch	mm	inch	mm	inch	mm	inch
8	15.09	.594	18.10	.713	16.05	.632	3.15	.124	14.70	.579	13.85	.545	14.70	.579
10	18.26	.719	20.62	.812	19.00	.748	3.15	.124	17.50	.689	17.05	.671	17.85	.703
12	20.62	.812	23.82	.938	22.25	.876	3.15	.124	20.20	.795	21.15	.833	22.60	.890
14	23.01	.906	26.18	1.031	25.40	1.000	3.15	.124	23.40	.921	24.30	.957	25.75	1.014
16	24.61	.969	28.57	1.125	28.60	1.126	3.15	.124	26.60	1.047	27.45	1.081	28.95	1.140
18	26.97	1.062	30.55	1.203	31.75	1.250	3.15	.124	29.80	1.173	30.65	1.207	32.10	1.264
20	29.36	1.156	32.94	1.297	34.90	1.374	3.15	.124	32.10	1.264	33.80	1.331	35.30	1.390
22	31.75	1.250	34.92	1.375	38.10	1.500	3.15	.124	35.30	1.390	37.00	1.457	38.45	1.514
24	34.92	1.375	38.10	1.500	41.30	1.626	3.70	.146	38.40	1.512	40.15	1.581	41.65	1.640