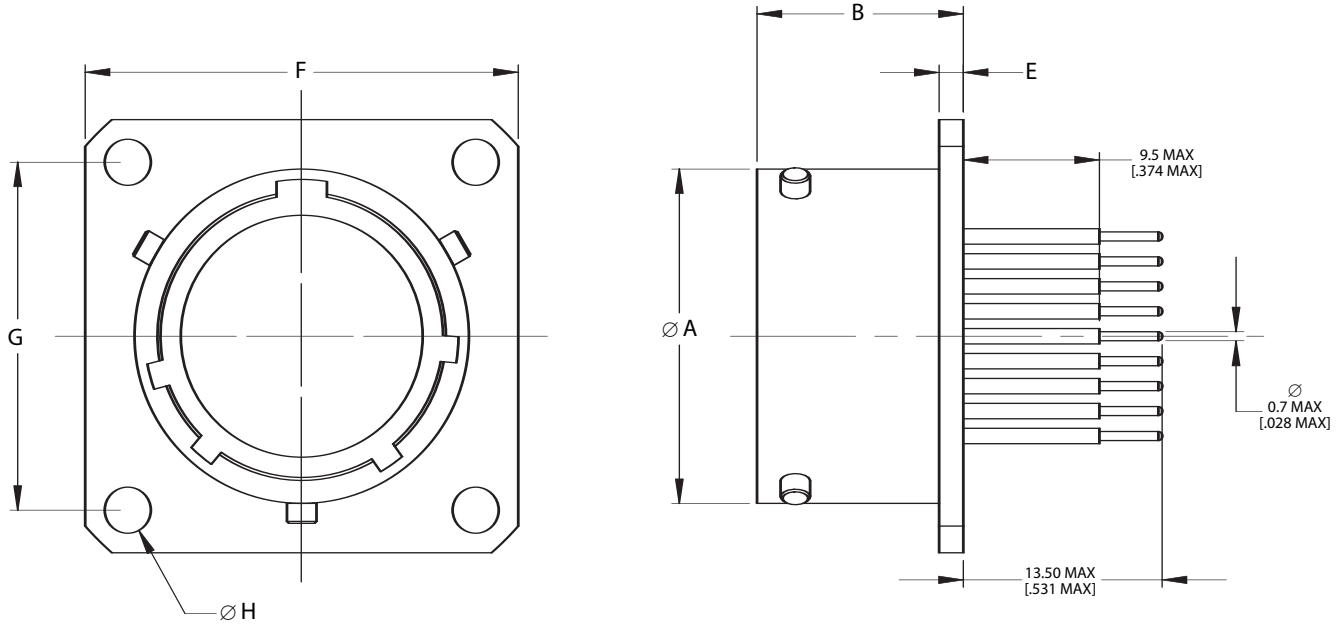




AE7702S Square Flange Receptacle – Short per HE302, EN3646, and NAS1599

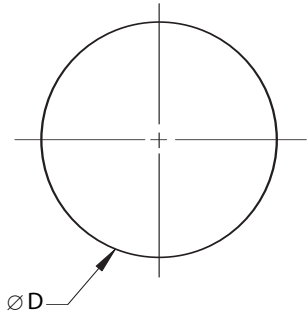


| Shell Size | Ø A | | B | | E | | F | | G | | Ø H | |
|------------|---------|-------|---------|------|-------|-------|---------|-------|-------|-------|-------|-------|
| | Maximum | | Maximum | | ±0.41 | ±.016 | Maximum | | (TP) | | ±0.15 | ±.006 |
| | mm | inch | mm | inch | mm | inch | mm | inch | mm | inch | mm | inch |
| 8 | 12.04 | .474 | 12.80 | .504 | 1.80 | .071 | 21.03 | .828 | 15.09 | .594 | 3.15 | .124 |
| 10 | 15.02 | .591 | 12.80 | .504 | 1.80 | .071 | 24.23 | .954 | 18.26 | .719 | 3.15 | .124 |
| 12 | 19.08 | .751 | 12.80 | .504 | 1.80 | .071 | 26.59 | 1.047 | 20.62 | .812 | 3.15 | .124 |
| 14 | 22.25 | .876 | 12.80 | .504 | 1.80 | .071 | 28.98 | 1.141 | 23.01 | .906 | 3.15 | .124 |
| 16 | 25.33 | .997 | 12.80 | .504 | 1.80 | .071 | 31.34 | 1.234 | 24.61 | .969 | 3.15 | .124 |
| 18 | 28.60 | 1.126 | 12.80 | .504 | 1.80 | .071 | 33.73 | 1.328 | 26.97 | 1.062 | 3.15 | .124 |
| 20 | 31.78 | 1.251 | 14.25 | .561 | 1.80 | .071 | 36.91 | 1.453 | 29.36 | 1.156 | 3.15 | .124 |
| 22 | 34.95 | 1.376 | 14.25 | .561 | 1.80 | .071 | 40.08 | 1.578 | 31.75 | 1.250 | 3.15 | .124 |
| 24 | 38.13 | 1.501 | 15.10 | .594 | 1.80 | .071 | 43.26 | 1.703 | 34.92 | 1.375 | 3.70 | .146 |

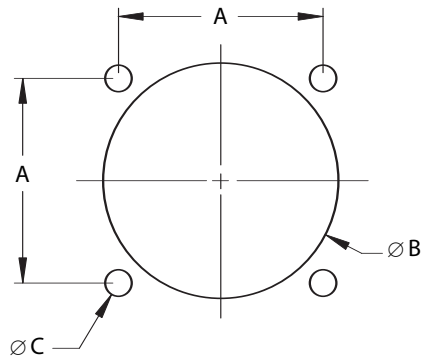


Panel Cutouts

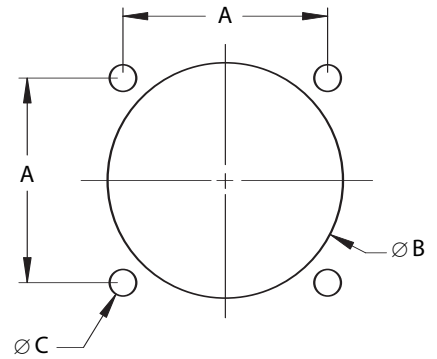
AE7701
Solder Mount Receptacle



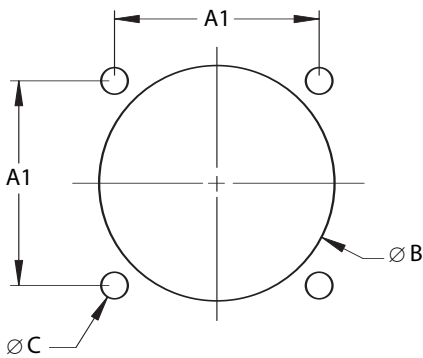
AE7702
Wall Mount Receptacle – Narrow



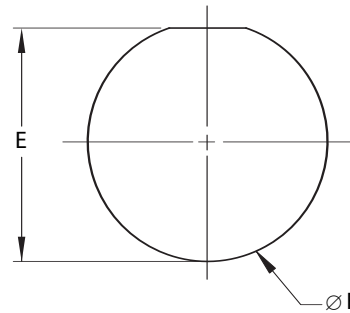
AE7702S
Wall Mount Receptacle – Short



AE7702L
Wall Mount Receptacle – Wide



AE7707
Jam Nut Receptacle



| Shell Size | A | | A1 | | Ø B | | Ø C | | Ø D | | E | | Ø F | |
|------------|-------|-------|-------|-------|---------|-------|-------------|------|---------|-------|---------|-------|---------|-------|
| | (TP) | | (TP) | | Maximum | | ±0.15 ±.006 | | Maximum | | Maximum | | Maximum | |
| | mm | inch | mm | inch | mm | inch | mm | inch | mm | inch | mm | inch | mm | inch |
| 8 | 15.09 | .594 | 18.10 | .713 | 16.05 | .632 | 3.15 | .124 | 14.70 | .579 | 13.85 | .545 | 14.70 | .579 |
| 10 | 18.26 | .719 | 20.62 | .812 | 19.00 | .748 | 3.15 | .124 | 17.50 | .689 | 17.05 | .671 | 17.85 | .703 |
| 12 | 20.62 | .812 | 23.82 | .938 | 22.25 | .876 | 3.15 | .124 | 20.20 | .795 | 21.15 | .833 | 22.60 | .890 |
| 14 | 23.01 | .906 | 26.18 | 1.031 | 25.40 | 1.000 | 3.15 | .124 | 23.40 | .921 | 24.30 | .957 | 25.75 | 1.014 |
| 16 | 24.61 | .969 | 28.57 | 1.125 | 28.60 | 1.126 | 3.15 | .124 | 26.60 | 1.047 | 27.45 | 1.081 | 28.95 | 1.140 |
| 18 | 26.97 | 1.062 | 30.55 | 1.203 | 31.75 | 1.250 | 3.15 | .124 | 29.80 | 1.173 | 30.65 | 1.207 | 32.10 | 1.264 |
| 20 | 29.36 | 1.156 | 32.94 | 1.297 | 34.90 | 1.374 | 3.15 | .124 | 32.10 | 1.264 | 33.80 | 1.331 | 35.30 | 1.390 |
| 22 | 31.75 | 1.250 | 34.92 | 1.375 | 38.10 | 1.500 | 3.15 | .124 | 35.30 | 1.390 | 37.00 | 1.457 | 38.45 | 1.514 |
| 24 | 34.92 | 1.375 | 38.10 | 1.500 | 41.30 | 1.626 | 3.70 | .146 | 38.40 | 1.512 | 40.15 | 1.581 | 41.65 | 1.640 |