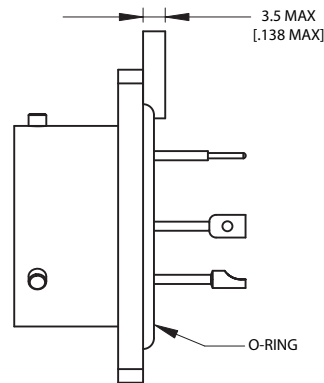
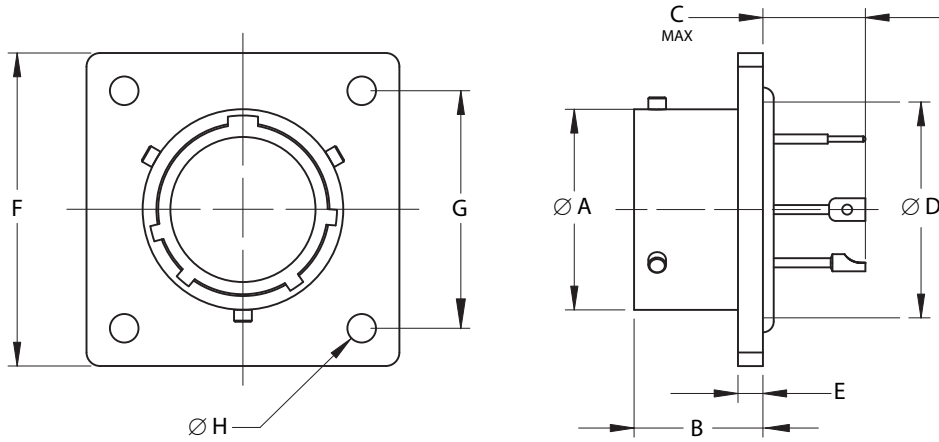


AE7702L

Square Flange Receptacle – Wide per HE302, EN3646, and NAS1599



Shell Size	C #20		C #16 and #12	
	mm	inch	mm	inch
8 thru 18	6.80	.268	8.90	.350
20 and 22	7.10	.280	9.20	.362
24	6.20	.244	8.30	.327

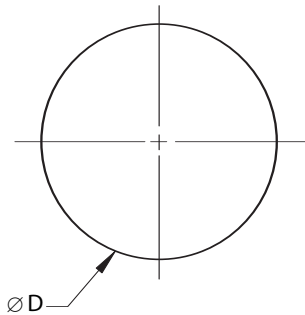
Shell Size	Ø A		B		Ø D		E		F		G		Ø H	
	Maximum		Maximum		±0.25	±0.10	Maximum		Maximum		(TP)		±0.15	±0.06
	mm	inch	mm	inch	mm	inch	mm	inch	mm	inch	mm	inch	mm	inch
8	12.04	.474	13.55	.533	14.40	.567	2.75	.108	26.40	1.039	18.10	.713	3.15	.124
10	15.02	.591	13.55	.533	17.20	.677	2.75	.108	28.90	1.138	20.62	.812	3.15	.124
12	19.08	.751	13.55	.533	19.95	.785	2.75	.108	32.10	1.264	23.82	.938	3.15	.124
14	22.25	.876	13.55	.533	23.15	.911	2.75	.108	34.50	1.358	26.18	1.031	3.15	.124
16	25.33	.997	13.55	.533	26.35	1.037	2.75	.108	36.80	1.449	28.57	1.125	3.15	.124
18	28.60	1.126	13.55	.533	29.55	1.163	2.75	.108	38.80	1.528	30.55	1.203	3.15	.124
20	31.78	1.251	16.00	.630	31.95	1.258	3.55	.140	42.80	1.685	32.94	1.297	3.15	.124
22	34.95	1.376	16.00	.630	35.05	1.380	3.55	.140	44.80	1.764	34.92	1.375	3.15	.124
24	38.13	1.501	16.85	.663	38.15	1.502	3.55	.140	47.90	1.886	38.10	1.500	3.70	.146

MIL-DTL-26482 S 2

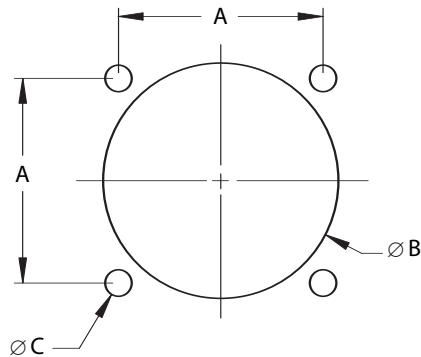


Panel Cutouts

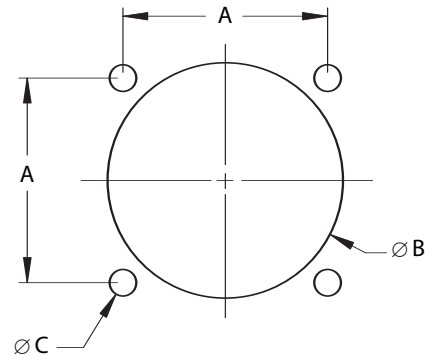
AE7701
Solder Mount Receptacle



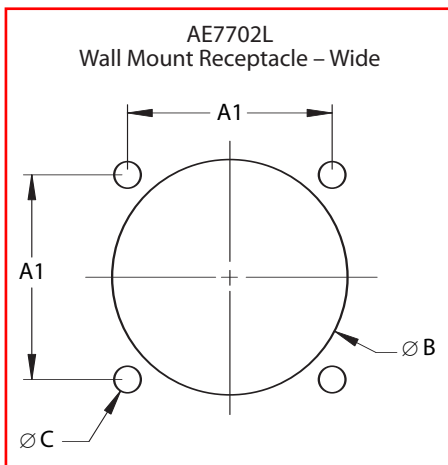
AE7702
Wall Mount Receptacle – Narrow



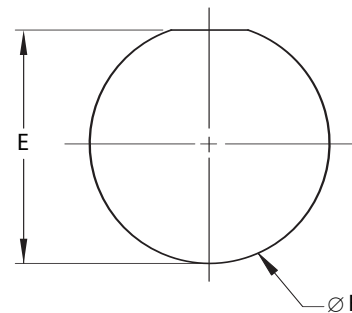
AE7702S
Wall Mount Receptacle – Short



AE7702L
Wall Mount Receptacle – Wide



AE7707
Jam Nut Receptacle



Shell Size	A		A1		Ø B		Ø C		Ø D		E		Ø F	
	(TP)		(TP)		Maximum		±0.15 ±.006		Maximum		Maximum		Maximum	
	mm	inch	mm	inch	mm	inch	mm	inch	mm	inch	mm	inch	mm	inch
8	15.09	.594	18.10	.713	16.05	.632	3.15	.124	14.70	.579	13.85	.545	14.70	.579
10	18.26	.719	20.62	.812	19.00	.748	3.15	.124	17.50	.689	17.05	.671	17.85	.703
12	20.62	.812	23.82	.938	22.25	.876	3.15	.124	20.20	.795	21.15	.833	22.60	.890
14	23.01	.906	26.18	1.031	25.40	1.000	3.15	.124	23.40	.921	24.30	.957	25.75	1.014
16	24.61	.969	28.57	1.125	28.60	1.126	3.15	.124	26.60	1.047	27.45	1.081	28.95	1.140
18	26.97	1.062	30.55	1.203	31.75	1.250	3.15	.124	29.80	1.173	30.65	1.207	32.10	1.264
20	29.36	1.156	32.94	1.297	34.90	1.374	3.15	.124	32.10	1.264	33.80	1.331	35.30	1.390
22	31.75	1.250	34.92	1.375	38.10	1.500	3.15	.124	35.30	1.390	37.00	1.457	38.45	1.514
24	34.92	1.375	38.10	1.500	41.30	1.626	3.70	.146	38.40	1.512	40.15	1.581	41.65	1.640