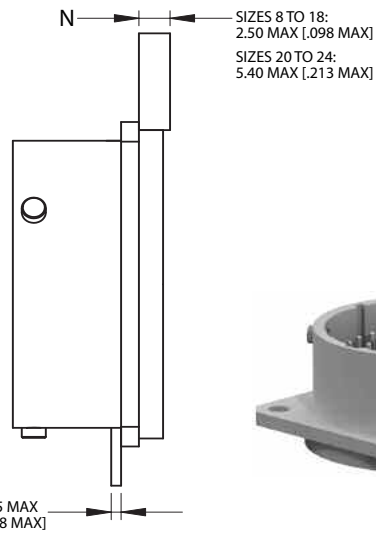
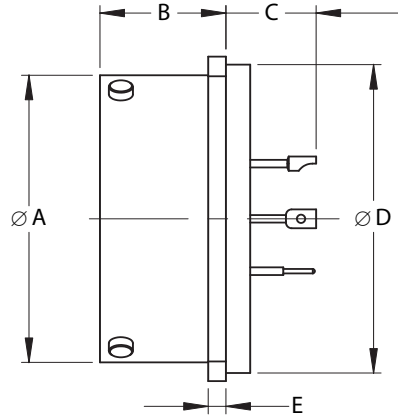
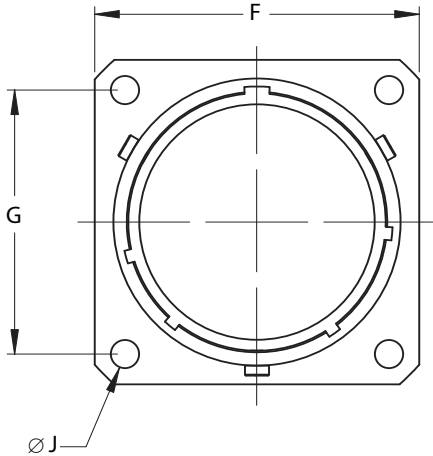




# AE7702

## Square Flange Receptacle – Narrow

per HE302, EN3646, and NAS1599



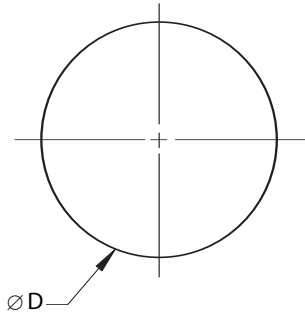
Shell Size	C #20		C #16 and #12	
	mm	inch	mm	inch
8 to 18	6.80	.268	8.90	.350
20 and 22	7.10	.280	9.20	.362
24	6.20	.244	8.30	.327

Shell Size	Ø A		B		Ø D		E		F		G		Ø J		N	
	Maximum		Maximum		±0.25	±0.10	±0.41	±0.16	Maximum		(TP)		±0.15	±0.006	Maximum	
	mm	inch	mm	inch	mm	inch	mm	inch	mm	inch	mm	inch	mm	inch	mm	inch
8	12.04	.474	12.80	.504	14.40	.567	1.80	.071	21.03	.828	15.09	.594	3.15	.124	2.50	.098
10	15.02	.591	12.80	.504	17.20	.677	1.80	.071	24.23	.954	18.26	.719	3.15	.124	2.50	.098
12	19.08	.751	12.80	.504	19.95	.785	1.80	.071	26.59	1.047	20.62	.812	3.15	.124	2.50	.098
14	22.25	.876	12.80	.504	23.15	.911	1.80	.071	28.98	1.141	23.01	.906	3.15	.124	2.50	.098
16	25.33	.997	12.80	.504	26.35	1.037	1.80	.071	31.34	1.234	24.61	.969	3.15	.124	2.50	.098
18	28.60	1.126	12.80	.504	29.55	1.163	1.80	.071	33.73	1.328	26.97	1.062	3.15	.124	2.50	.098
20	31.78	1.251	14.25	.561	31.95	1.258	1.80	.071	36.91	1.453	29.36	1.156	3.15	.124	5.40	.213
22	34.95	1.376	14.25	.561	35.05	1.380	1.80	.071	40.08	1.578	31.75	1.250	3.15	.124	5.40	.213
24	38.13	1.501	15.10	.594	38.15	1.502	1.80	.071	43.26	1.703	34.92	1.375	3.70	.146	5.40	.213

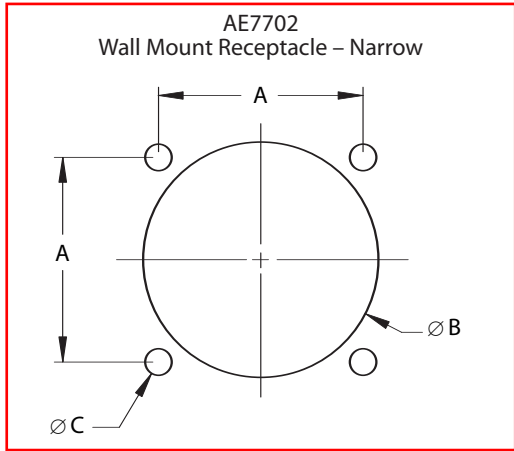


Panel Cutouts

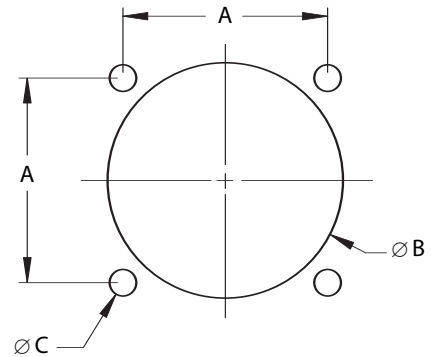
AE7701  
Solder Mount Receptacle



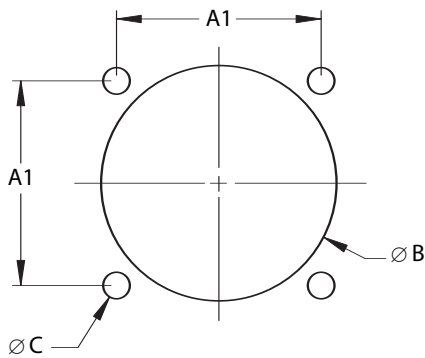
AE7702  
Wall Mount Receptacle – Narrow



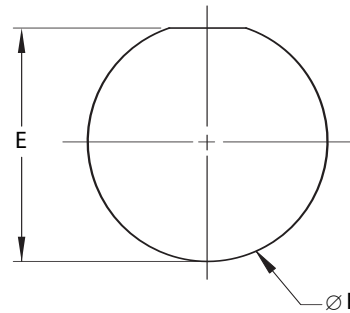
AE7702S  
Wall Mount Receptacle – Short



AE7702L  
Wall Mount Receptacle – Wide



AE7707  
Jam Nut Receptacle



Shell Size	A		A1		Ø B		Ø C		Ø D		E		Ø F	
	(TP)		(TP)		Maximum		±0.15	±.006	Maximum		Maximum		Maximum	
	mm	inch	mm	inch	mm	inch	mm	inch	mm	inch	mm	inch	mm	inch
8	15.09	.594	18.10	.713	16.05	.632	3.15	.124	14.70	.579	13.85	.545	14.70	.579
10	18.26	.719	20.62	.812	19.00	.748	3.15	.124	17.50	.689	17.05	.671	17.85	.703
12	20.62	.812	23.82	.938	22.25	.876	3.15	.124	20.20	.795	21.15	.833	22.60	.890
14	23.01	.906	26.18	1.031	25.40	1.000	3.15	.124	23.40	.921	24.30	.957	25.75	1.014
16	24.61	.969	28.57	1.125	28.60	1.126	3.15	.124	26.60	1.047	27.45	1.081	28.95	1.140
18	26.97	1.062	30.55	1.203	31.75	1.250	3.15	.124	29.80	1.173	30.65	1.207	32.10	1.264
20	29.36	1.156	32.94	1.297	34.90	1.374	3.15	.124	32.10	1.264	33.80	1.331	35.30	1.390
22	31.75	1.250	34.92	1.375	38.10	1.500	3.15	.124	35.30	1.390	37.00	1.457	38.45	1.514
24	34.92	1.375	38.10	1.500	41.30	1.626	3.70	.146	38.40	1.512	40.15	1.581	41.65	1.640