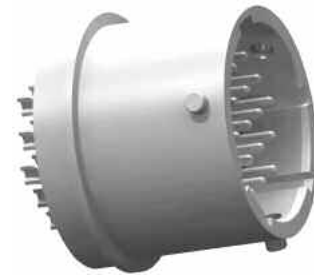
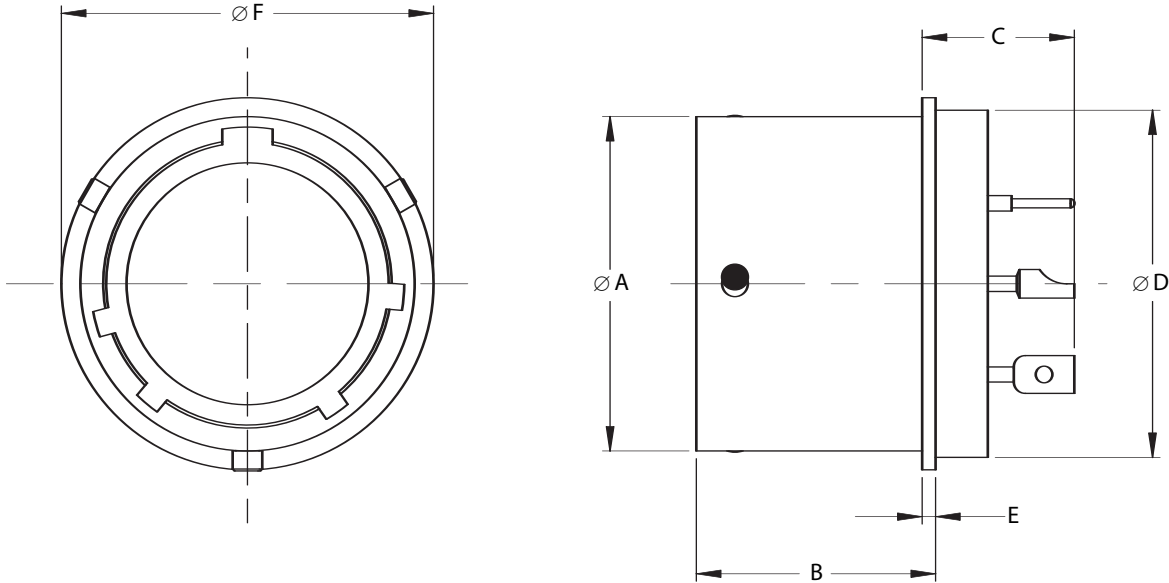


AE7701
Solder Mount Receptacle
 per HE302, EN3646, and NAS1599

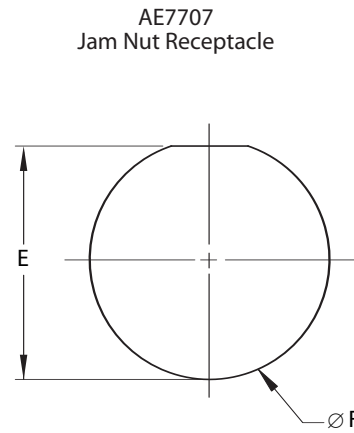
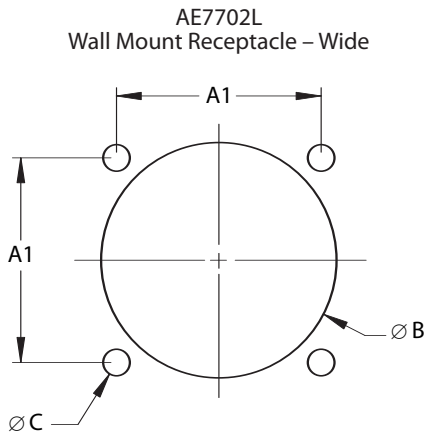
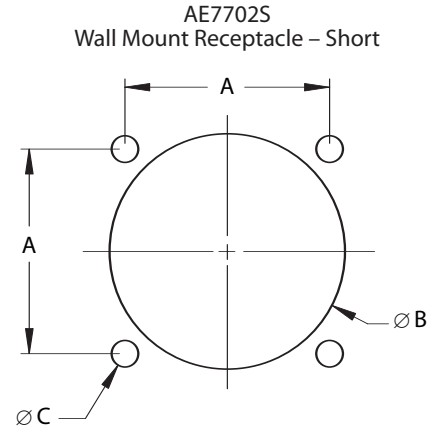
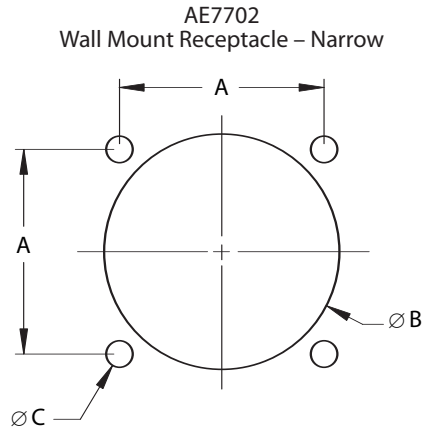
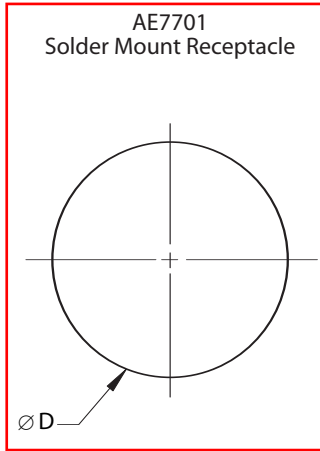


MIL-DTL-26482 S 2

Shell Size	Ø A		Ø B		C				Ø D		E		Ø F	
	Maximum		Maximum		#20 Maximum	#16 and #12 Maximum			Maximum		Maximum		Maximum	
	mm	inch	mm	inch	mm	inch	mm	inch	mm	inch	mm	inch	mm	inch
8	12.04	.474	11.75	.463	7.80	.307	10.00	.394	14.30	.563	0.90	.035	16.12	.635
10	15.02	.591	11.75	.463	7.80	.307	10.00	.394	17.10	.673	0.90	.035	19.30	.760
12	19.08	.751	11.75	.463	7.80	.307	10.00	.394	19.85	.781	0.90	.035	21.68	.854
14	22.25	.876	11.75	.463	7.80	.307	10.00	.394	23.05	.907	0.90	.035	24.86	.979
16	25.33	.997	11.75	.463	7.80	.307	10.00	.394	26.20	1.031	0.90	.035	28.03	1.104
18	28.60	1.126	11.75	.463	7.80	.307	10.00	.394	29.40	1.157	0.90	.035	31.18	1.228
20	31.78	1.251	13.40	.528	8.20	.323	10.30	.406	31.80	1.252	0.90	.035	33.57	1.322
22	34.95	1.376	13.40	.528	8.20	.323	10.30	.406	34.95	1.376	0.90	.035	36.77	1.448
24	38.13	1.501	13.40	.528	7.50	.295	9.50	.374	38.10	1.500	0.90	.035	39.94	1.572



Panel Cutouts



Shell Size	A		A1		Ø B		Ø C		Ø D		E		Ø F	
	(TP)		(TP)		Maximum		±0.15	±.006	Maximum		Maximum		Maximum	
	mm	inch	mm	inch	mm	inch	mm	inch	mm	inch	mm	inch	mm	inch
8	15.09	.594	18.10	.713	16.05	.632	3.15	.124	14.70	.579	13.85	.545	14.70	.579
10	18.26	.719	20.62	.812	19.00	.748	3.15	.124	17.50	.689	17.05	.671	17.85	.703
12	20.62	.812	23.82	.938	22.25	.876	3.15	.124	20.20	.795	21.15	.833	22.60	.890
14	23.01	.906	26.18	1.031	25.40	1.000	3.15	.124	23.40	.921	24.30	.957	25.75	1.014
16	24.61	.969	28.57	1.125	28.60	1.126	3.15	.124	26.60	1.047	27.45	1.081	28.95	1.140
18	26.97	1.062	30.55	1.203	31.75	1.250	3.15	.124	29.80	1.173	30.65	1.207	32.10	1.264
20	29.36	1.156	32.94	1.297	34.90	1.374	3.15	.124	32.10	1.264	33.80	1.331	35.30	1.390
22	31.75	1.250	34.92	1.375	38.10	1.500	3.15	.124	35.30	1.390	37.00	1.457	38.45	1.514
24	34.92	1.375	38.10	1.500	41.30	1.626	3.70	.146	38.40	1.512	40.15	1.581	41.65	1.640