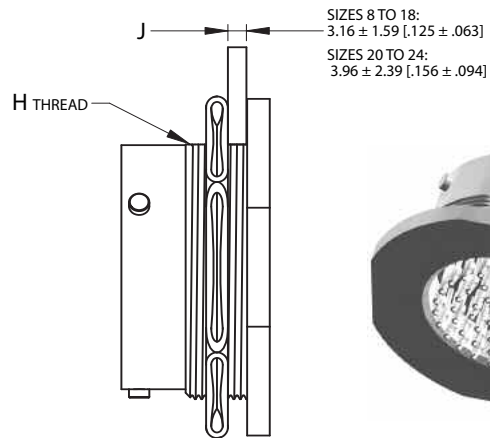
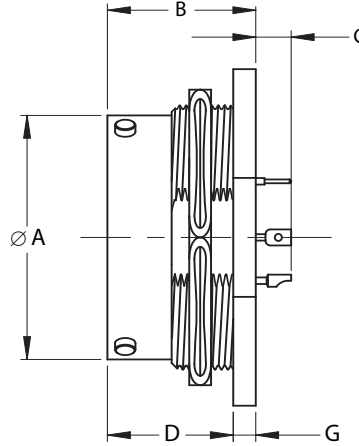
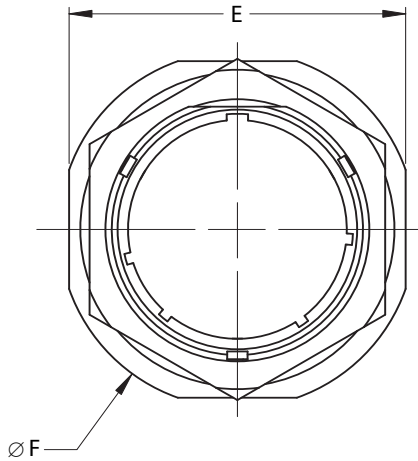


MS3449
Jam Nut Receptacle
AE749



Shell Size	C #20		C #16 and #12	
	mm	inch	mm	inch
8 to 18	2.64*	.104*	4.42*	.174*
20 and 22	1.75*	.069*	3.53*	.139*
24	0.95*	.038*	2.77*	.109*

* Not Applicable for pin tail – Please consult factory

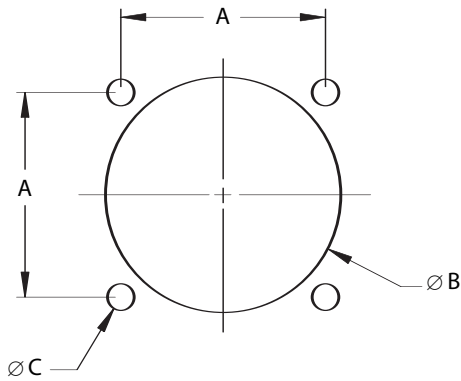
Shell Size	Ø A		B		D		E		Ø F		G		H	J	
	Maximum		Maximum		±0.20	±0.008	±0.39	±0.016	±0.39	±0.016	±0.20	±0.008	Thread	±1.59	±0.063
	mm	inch	mm	inch	mm	inch	mm	inch	mm	inch	mm	inch	Class 2A	mm	inch
8	12.04	.474	20.83	.820	17.75	.699	23.84	.939	26.99	1.063	2.67	.105	.5625-24 UNEF	3.16	.125
10	15.02	.591	20.83	.820	17.75	.699	26.99	1.063	30.16	1.188	2.67	.105	.6875-24 UNEF	3.16	.125
12	19.08	.751	20.83	.820	17.75	.699	31.76	1.251	34.94	1.376	2.67	.105	.8750-20 UNEF	3.16	.125
14	22.25	.876	20.83	.820	17.75	.699	34.94	1.376	38.11	1.501	2.67	.105	1.000-20 UNEF	3.16	.125
16	25.33	.997	20.83	.820	17.75	.699	38.11	1.501	41.29	1.626	2.67	.105	1.125-18 UNEF	3.16	.125
18	28.60	1.126	20.83	.820	17.75	.699	41.29	1.626	44.46	1.751	2.67	.105	1.250-18 UNEF	3.16	.125
20	31.78	1.251	23.37	.920	19.38	.763	46.04	1.813	49.24	1.939	3.51	.138	1.375-18 UNEF	3.96 ≠	.156 ≠
22	34.95	1.376	23.37	.920	19.38	.763	49.24	1.939	52.39	2.063	3.51	.138	1.500-18 UNEF	3.96 ≠	.156 ≠
24	38.13	1.501	24.16	.951	19.15	.754	52.39	2.063	55.56	2.188	3.51	.138	1.625-18 UNEF	3.96 ≠	.156 ≠

MIL-DTL-26482 S 2

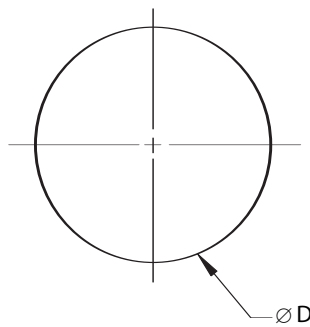


Panel Cutouts

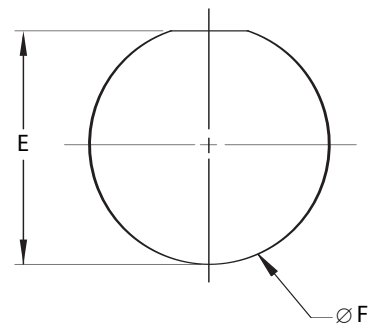
AE740
Wall Mount Receptacle



AE743
Solder Mount Receptacle



AE749
Jam Nut Receptacle



Shell Size	A		Ø B		Ø C		Ø D		E		Ø F	
	(TP)		Minimum		±0.25	±0.010	±0.13	±0.005	±0.13	±0.005	±0.13	±0.005
	mm	inch	mm	inch	mm	inch	mm	inch	mm	inch	mm	inch
8	15.09	.594	14.43	.568	3.05	.120	14.48	.570	13.61	.536	14.53	.572
10	18.26	.719	17.40	.685	3.05	.120	17.27	.680	16.79	.661	17.70	.697
12	20.62	.812	21.95	.864	3.05	.120	20.04	.789	20.93	.824	22.73	.895
14	23.01	.906	25.12	.989	3.05	.120	23.22	.914	24.08	.948	25.65	1.010
16	24.61	.969	28.27	1.113	3.05	.120	26.39	1.039	27.23	1.072	28.83	1.135
18	26.97	1.062	31.45	1.238	3.05	.120	29.57	1.164	30.40	1.197	32.00	1.260
20	29.36	1.156	34.62	1.363	3.05	.120	31.95	1.258	33.58	1.322	35.18	1.385
22	31.75	1.250	37.80	1.488	3.05	.120	35.13	1.383	36.75	1.447	38.35	1.510
24	34.92	1.375	41.02	1.615	3.73	.147	38.30	1.508	39.93	1.572	41.53	1.635