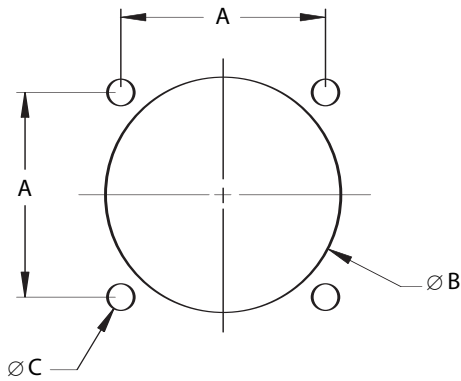


Shell Size	Ø A		Ø B		C				D		Ø F		Ø G	
	Maximum		Maximum		#20		#16 and #12		±0.25 ±.010		±0.25 ±.010		±0.08 ±.003	
	mm	inch	mm	inch	mm	inch	mm	inch	mm	inch	mm	inch	mm	inch
8	12.04	.474	20.35	.801	3.76	.148	5.54	.218	14.94	.588	15.87	.625	14.22	.560
10	15.02	.591	20.35	.801	3.76	.148	5.54	.218	14.94	.588	19.05	.750	17.02	.670
12	19.08	.751	20.35	.801	3.76	.148	5.54	.218	14.94	.588	21.44	.844	19.79	.779
14	22.25	.876	20.35	.801	3.76	.148	5.54	.218	14.94	.588	24.61	.969	22.96	.904
16	25.33	.997	20.35	.801	3.76	.148	5.54	.218	14.94	.588	27.79	1.094	26.14	1.029
18	28.60	1.126	20.35	.801	3.76	.148	5.54	.218	14.94	.588	30.94	1.218	29.31	1.154
20	31.78	1.251	21.92	.863	3.76	.148	5.54	.218	16.51	.650	33.32	1.312	31.70	1.248
22	34.95	1.376	22.73	.895	2.95	.116	4.72	.186	16.51	.650	36.53	1.438	34.87	1.373
24	38.13	1.501	22.73	.895	2.95	.116	4.72	.186	16.51	.650	39.73	1.564	38.05	1.498

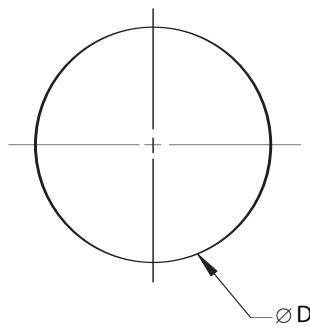


Panel Cutouts

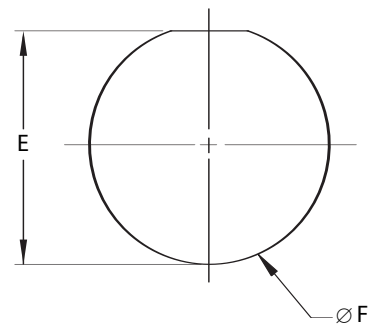
AE740
Wall Mount Receptacle



AE743
Solder Mount Receptacle



AE749
Jam Nut Receptacle



Shell Size	A		Ø B		Ø C		Ø D		E		Ø F	
	(TP)		Minimum		±0.25	±0.010	±0.13	±0.005	±0.13	±0.005	±0.13	±0.005
	mm	inch	mm	inch	mm	inch	mm	inch	mm	inch	mm	inch
8	15.09	.594	14.43	.568	3.05	.120	14.48	.570	13.61	.536	14.53	.572
10	18.26	.719	17.40	.685	3.05	.120	17.27	.680	16.79	.661	17.70	.697
12	20.62	.812	21.95	.864	3.05	.120	20.04	.789	20.93	.824	22.73	.895
14	23.01	.906	25.12	.989	3.05	.120	23.22	.914	24.08	.948	25.65	1.010
16	24.61	.969	28.27	1.113	3.05	.120	26.39	1.039	27.23	1.072	28.83	1.135
18	26.97	1.062	31.45	1.238	3.05	.120	29.57	1.164	30.40	1.197	32.00	1.260
20	29.36	1.156	34.62	1.363	3.05	.120	31.95	1.258	33.58	1.322	35.18	1.385
22	31.75	1.250	37.80	1.488	3.05	.120	35.13	1.383	36.75	1.447	38.35	1.510
24	34.92	1.375	41.02	1.615	3.73	.147	38.30	1.508	39.93	1.572	41.53	1.635