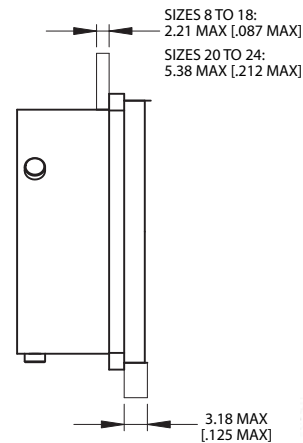
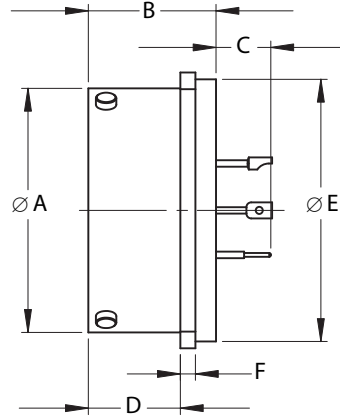
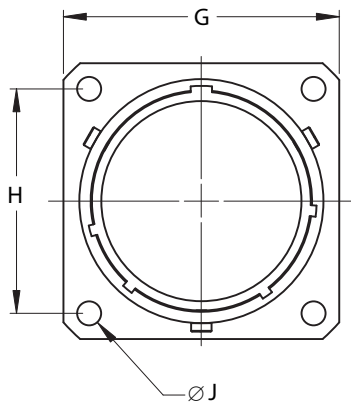


AE740 Wall Mount Receptacle – Narrow MS3440



Shell Size	C #20		C #16 and #12	
	±0.76 mm	±.030 inch	±0.76 mm	±.030 inch
8 to 20	3.76	.148	5.54	.218
22 and 24	2.95	.116	4.72	.186

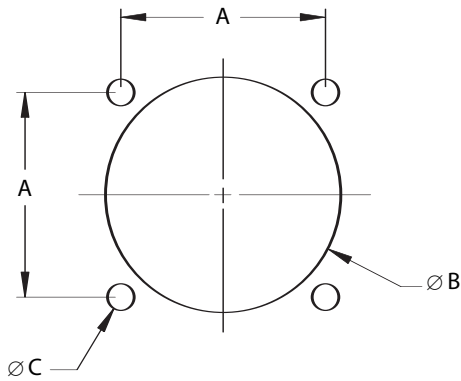
Shell Size	Ø A		B		D		Ø E		F		G		H		Ø J		L	
	Maximum		Maximum		±0.25 ±.010		±0.08 ±.003		±0.41 ±.016		Maximum		(TP)		±0.13 ±.005		Maximum	
	mm	inch	mm	inch	mm	inch	mm	inch	mm	inch	mm	inch	mm	inch	mm	inch	mm	inch
8	12.04	.474	20.35	.801	14.94	.588	14.22	.560	1.57	.062	21.03	.828	15.09	.594	3.05	.120	2.21	.087
10	15.02	.591	20.35	.801	14.94	.588	17.02	.670	1.57	.062	24.23	.954	18.26	.719	3.05	.120	2.21	.087
12	19.08	.751	20.35	.801	14.94	.588	19.79	.779	1.57	.062	26.59	1.047	20.62	.812	3.05	.120	2.21	.087
14	22.25	.876	20.35	.801	14.94	.588	22.96	.904	1.57	.062	28.98	1.141	23.01	.906	3.05	.120	2.21	.087
16	25.33	.997	20.35	.801	14.94	.588	26.14	1.029	1.57	.062	31.34	1.234	24.61	.969	3.05	.120	2.21	.087
18	28.60	1.126	20.35	.801	14.94	.588	29.31	1.154	1.57	.062	33.73	1.328	26.97	1.062	3.05	.120	2.21	.087
20	31.78	1.251	21.92	.863	16.51	.650	31.70	1.248	2.39	.094	36.91	1.453	29.36	1.156	3.05	.120	5.38	.212
22	34.95	1.376	22.73	.895	16.51	.650	34.87	1.373	2.39	.094	40.08	1.578	31.75	1.250	3.05	.120	5.38	.212
24	38.13	1.501	22.73	.895	16.51	.650	38.05	1.498	2.39	.094	43.26	1.703	34.92	1.375	3.73	.147	5.38	.212

MIL-DTL-26482 S 2

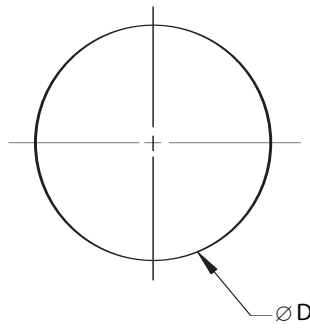


Panel Cutouts

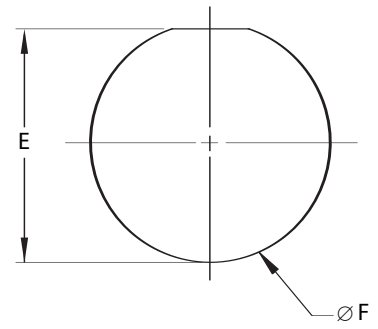
AE740
 Wall Mount Receptacle



AE743
 Solder Mount Receptacle



AE749
 Jam Nut Receptacle



Shell Size	A		Ø B		Ø C		Ø D		E		Ø F	
	(TP)		Minimum		±0.25	±0.010	±0.13	±0.005	±0.13	±0.005	±0.13	±0.005
	mm	inch	mm	inch	mm	inch	mm	inch	mm	inch	mm	inch
8	15.09	.594	14.43	.568	3.05	.120	14.48	.570	13.61	.536	14.53	.572
10	18.26	.719	17.40	.685	3.05	.120	17.27	.680	16.79	.661	17.70	.697
12	20.62	.812	21.95	.864	3.05	.120	20.04	.789	20.93	.824	22.73	.895
14	23.01	.906	25.12	.989	3.05	.120	23.22	.914	24.08	.948	25.65	1.010
16	24.61	.969	28.27	1.113	3.05	.120	26.39	1.039	27.23	1.072	28.83	1.135
18	26.97	1.062	31.45	1.238	3.05	.120	29.57	1.164	30.40	1.197	32.00	1.260
20	29.36	1.156	34.62	1.363	3.05	.120	31.95	1.258	33.58	1.322	35.18	1.385
22	31.75	1.250	37.80	1.488	3.05	.120	35.13	1.383	36.75	1.447	38.35	1.510
24	34.92	1.375	41.02	1.615	3.73	.147	38.30	1.508	39.93	1.572	41.53	1.635