

Contact Size	Z					
	Solder Cup (Style C) Maximum		Eyelet (Style E) Maximum		Pin Tail (Style X) Maximum	
	mm	inch	mm	inch	mm	inch
20	4.20	.165	4.20	.165	Consult factory	
16	5.95	.234	5.95	.234	Consult factory	
12	5.95	.234	5.95	.234	Consult factory	

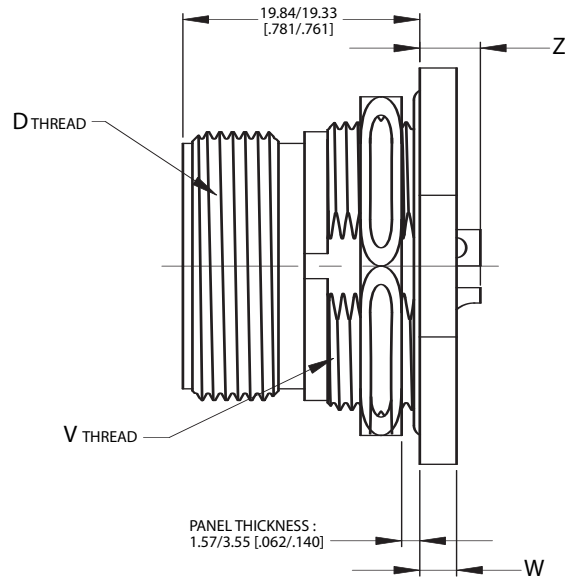
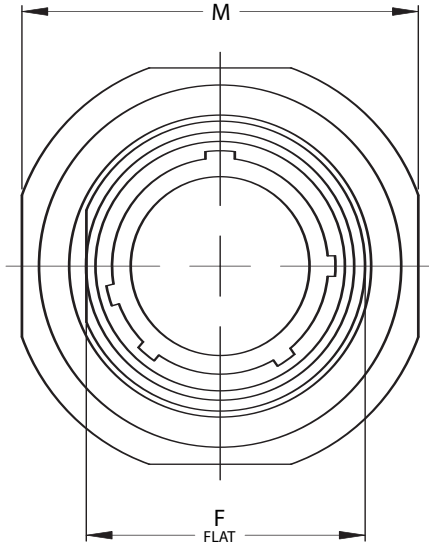


Shell Size	Ø D		F		M		V		W	
	+0.00 -0.12	+0.000 -0.005	Flat		±0.12	±.005	Thread	±0.5	±.020	
	mm	inch	mm	inch	mm	inch	Class 2A	mm	inch	
8	13.61	.536	15.06	0.593	24.87	0.979	5/8-20 UN	2.97	.117	
10	16.74	.659	18.24	0.718	28.04	1.104	3/4-20 UNEF	2.97	.117	
12	21.06	.829	22.99	0.905	32.79	1.291	15/16-20 UNEF	2.97	.117	
14	22.81	.898	24.59	0.968	35.33	1.391	1-20 UNEF	2.97	.117	
16	26.04	1.025	27.76	1.093	38.51	1.516	1-1/8-20 UN	2.97	.117	
18	28.73	1.131	30.91	1.217	41.68	1.641	1-1/4 UN	2.97	.117	
20	31.90	1.256	34.09	1.342	44.86	1.766	1-3/8-18 UNEF	2.97	.117	
22	35.08	1.381	37.26	1.467	49.63	1.954	1-1/2-20 UN	3.75	.148	
24	38.25	1.506	40.44	1.592	52.81	2.079	1-5/8-18 UNEF	3.75	.148	

AE665*T**

Jam Nut Receptacle – Threaded Coupling

MS24265*T**



Contact Size	Z					
	Solder Cup (Style C) Maximum		Eyelet (Style E) Maximum		Pin Tail (Style X) Maximum	
	mm	inch	mm	inch	mm	inch
20	4.20	.165	4.20	.165	Consult factory	
16	5.95	.234	5.95	.234	Consult factory	
12	5.95	.234	5.95	.234	Consult factory	



Shell Size	D	F		M		V	W	
	Thread	± 0.07	Flat ± 0.003	± 0.12	± 0.005	Thread	± 0.5	± 0.020
	Class 2A	mm	inch	mm	inch	Class 2A	mm	inch
8	9/16-24 UNEF	15.06	0.593	24.87	0.979	5/8-20 UN	2.97	.117
10	11/16-24 UNEF	18.24	0.718	28.04	1.104	3/4-20 UNEF	2.97	.117
12	7/8-20 UNEF	22.99	0.905	32.79	1.291	15/16-20 UNEF	2.97	.117
14	15/16-20 UNEF	24.59	0.968	35.33	1.391	1-20 UNEF	2.97	.117
16	1-1/16-18 UNEF	27.76	1.093	38.51	1.516	1-1/8-20 UN	2.97	.117
18	1-3/16-18 UNEF	30.91	1.217	41.68	1.641	1-1/4 UN	2.97	.117
20	1-5/16-18 UNEF	34.09	1.342	44.86	1.766	1-3/8-18 UNEF	2.97	.117
22	1-7/16-18 UNEF	37.26	1.467	49.63	1.954	1-1/2-20 UN	3.75	.148
24	1-9/16-18 UNEF	40.44	1.592	52.81	2.079	1-5/8-18 UNEF	3.75	.148

MIL-DTL-26500

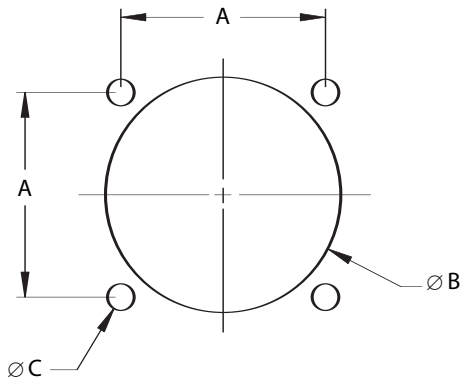
AE6 Series

Hermetic Connectors – Bayonet and Threaded Coupling per MIL-DTL-26500

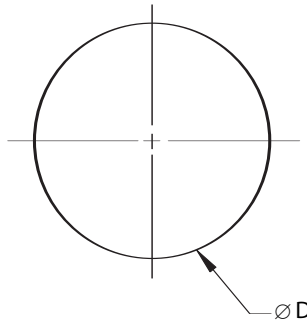


Panel Cutouts

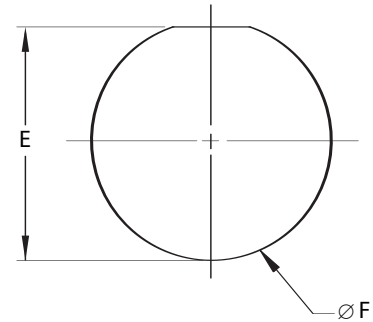
AE664**B / AE664**T
Wall Mount Receptacle



AE634**B / AE634**T
Solder Mount Receptacle



AE665**B / AE665**T
Jam Nut Receptacle



Shell Size	A		Ø B		Ø B		Ø C		Ø D		E		Ø F	
	(TP)		Back Mounting Minimum		Front Mounting Minimum		0.00	.000	+0.25	+0.010	±0.13	±.005	±0.13	±.005
	mm	inch	mm	inch	mm	inch	mm	inch	mm	inch	mm	inch	mm	inch
8	15.09	.594	15.75	.620	11.35	.447	3.18	.125	11.23	.442	15.37	.605	16.13	.635
10	18.26	.719	19.00	.750	14.53	.572	3.18	.125	14.40	.567	18.64	.730	19.30	.760
12	20.62	.812	23.32	.918	19.30	.760	3.18	.125	19.18	.755	23.29	.917	24.05	.947
14	23.01	.906	25.10	.988	20.88	.822	3.18	.125	20.75	.817	24.89	.980	25.65	1.010
16	24.61	.969	28.30	1.114	24.08	.948	3.18	.125	23.93	.942	28.07	1.105	28.83	1.135
18	26.97	1.062	30.99	1.220	27.23	1.072	3.18	.125	27.10	1.067	31.12	1.225	32.00	1.260
20	29.36	1.156	34.19	1.346	30.28	1.192	3.18	.125	30.15	1.187	34.29	1.350	35.18	1.385
22	31.75	1.250	37.34	1.470	33.58	1.322	3.18	.125	33.45	1.317	37.46	1.475	38.35	1.510
24	34.92	1.375	40.54	1.596	36.63	1.442	3.91	.154	36.50	1.437	40.64	1.600	41.53	1.635

MIL-DTL-26500