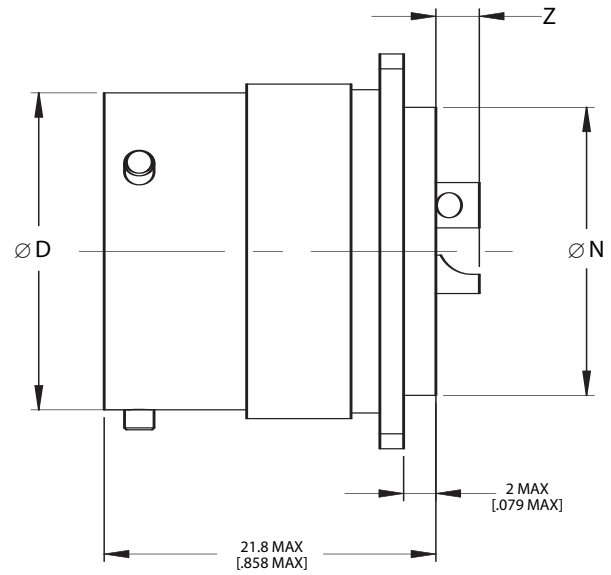
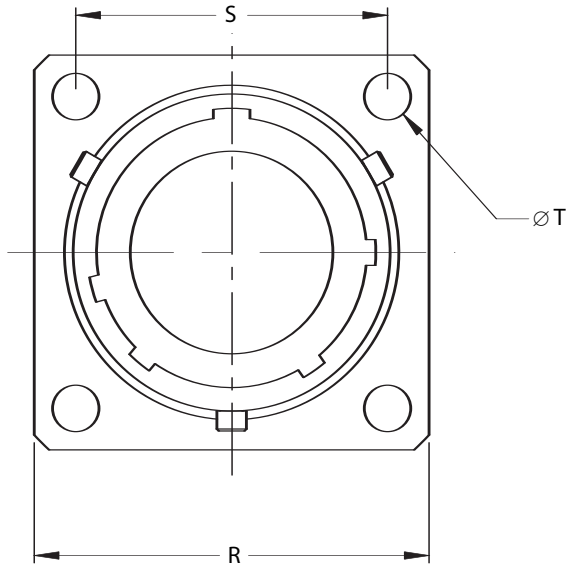


AE664*B**

Wall Mount Receptacle – Bayonet Coupling

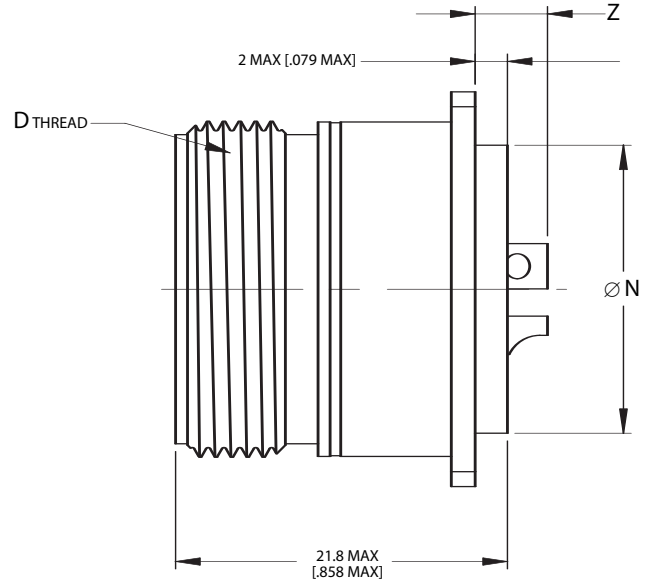
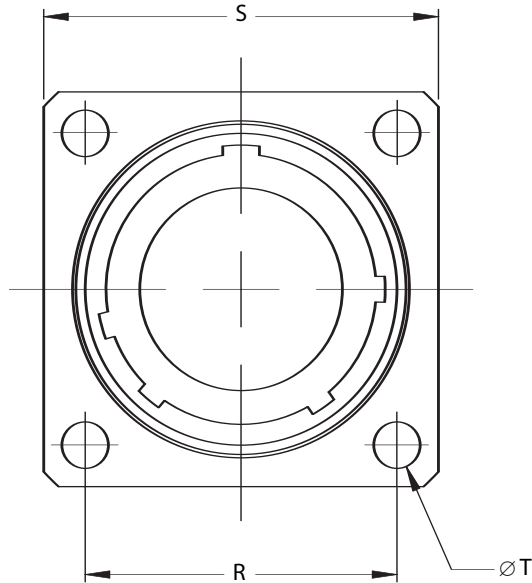


Contact Size	Z					
	Solder Cup (Style C) Maximum		Eyelet (Style E) Maximum		Pin Tail (Style X) Maximum	
	mm	inch	mm	inch	mm	inch
20	3.81	.150	2.76	.109	Consult factory	
16	5.33	.510	4.34	.171	Consult factory	
12	5.58	.220	5.58	.220	Consult factory	



Shell Size	Ø D		Ø N		R		S		Ø T	
	+0.00 -0.12	+0.000 -0.005	Maximum		Maximum		(TP)		+0.00 -0.22	+0.000 -0.009
	mm	inch	mm	inch	mm	inch	mm	inch	mm	inch
8	13.61	.536	11.09	.437	20.75	.817	15.09	.594	3.18	.125
10	16.74	.659	14.27	.562	23.93	.942	18.26	.719	3.18	.125
12	21.06	.829	19.05	.750	26.32	1.036	20.62	.812	3.18	.125
14	22.81	.898	20.62	.812	28.71	1.130	23.01	.906	3.18	.125
16	26.04	1.025	23.79	.937	31.88	1.255	24.61	.969	3.18	.125
18	28.73	1.131	26.97	1.062	34.24	1.348	26.97	1.062	3.18	.125
20	31.90	1.256	30.02	1.182	36.63	1.442	29.36	1.156	3.18	.125
22	35.08	1.381	33.32	1.312	39.80	1.567	31.75	1.250	3.18	.125
24	38.25	1.506	36.37	1.432	43.39	1.708	34.92	1.375	3.91	.154

MIL-DTL-26500



Contact Size	Z					
	Solder Cup (Style C) Maximum		Eyelet (Style E) Maximum		Pin Tail (Style X) Maximum	
	mm	inch	mm	inch	mm	inch
20	3.81	.150	2.76	.109	Consult factory	
16	5.33	.510	4.34	.171	Consult factory	
12	5.58	.220	5.58	.220	Consult factory	

Shell Size	D	Ø N		R		S		Ø T	
	Thread	Maximum		Maximum		(TP)		+0.00	+0.00
	Class 2A	mm	inch	mm	inch	mm	inch	mm	inch
8	9/16-24 UNEF	11.09	.437	20.75	.817	15.09	.594	3.18	.125
10	11/16-24 UNEF	14.27	.562	23.93	.942	18.26	.719	3.18	.125
12	7/8-20 UNEF	19.05	.750	26.32	1.036	20.62	.812	3.18	.125
14	15/16-20 UNEF	20.62	.812	28.71	1.130	23.01	.906	3.18	.125
16	1-1/16-18 UNEF	23.79	.937	31.88	1.255	24.61	.969	3.18	.125
18	1-3/16-18 UNEF	26.97	1.062	34.24	1.348	26.97	1.062	3.18	.125
20	1-5/16-18 UNEF	30.02	1.182	36.63	1.442	29.36	1.156	3.18	.125
22	1-7/16-18 UNEF	33.32	1.312	39.80	1.567	31.75	1.250	3.18	.125
24	1-9/16-18 UNEF	36.37	1.432	43.39	1.708	34.92	1.375	3.91	.154

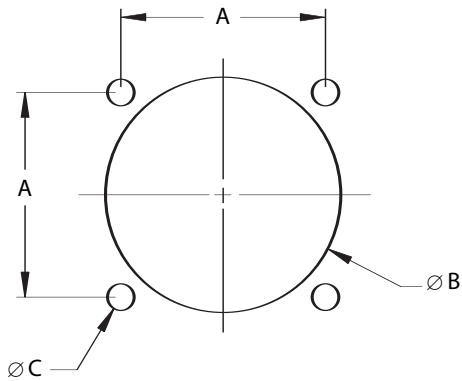
AE6 Series

Hermetic Connectors – Bayonet and Threaded Coupling per MIL-DTL-26500

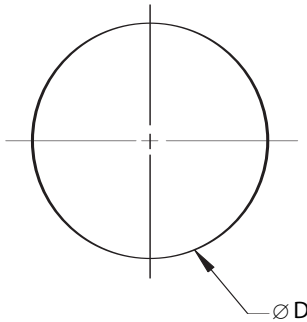


Panel Cutouts

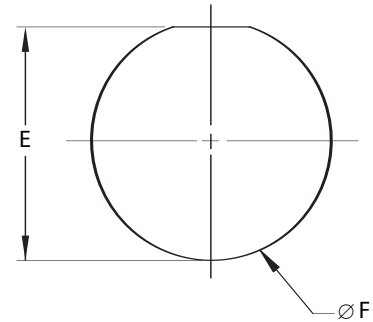
AE664**B / AE664**T
Wall Mount Receptacle



AE634**B / AE634**T
Solder Mount Receptacle



AE665**B / AE665**T
Jam Nut Receptacle



Shell Size	A		Ø B		Ø B		Ø C		Ø D		E		Ø F	
	(TP)		Back Mounting Minimum		Front Mounting Minimum		0.00 .000 -0.23 -0.09		+0.25 +.010 0.00 .000		±0.13 ±.005		±0.13 ±.005	
	mm	inch	mm	inch	mm	inch	mm	inch	mm	inch	mm	inch	mm	inch
8	15.09	.594	15.75	.620	11.35	.447	3.18	.125	11.23	.442	15.37	.605	16.13	.635
10	18.26	.719	19.00	.750	14.53	.572	3.18	.125	14.40	.567	18.64	.730	19.30	.760
12	20.62	.812	23.32	.918	19.30	.760	3.18	.125	19.18	.755	23.29	.917	24.05	.947
14	23.01	.906	25.10	.988	20.88	.822	3.18	.125	20.75	.817	24.89	.980	25.65	1.010
16	24.61	.969	28.30	1.114	24.08	.948	3.18	.125	23.93	.942	28.07	1.105	28.83	1.135
18	26.97	1.062	30.99	1.220	27.23	1.072	3.18	.125	27.10	1.067	31.12	1.225	32.00	1.260
20	29.36	1.156	34.19	1.346	30.28	1.192	3.18	.125	30.15	1.187	34.29	1.350	35.18	1.385
22	31.75	1.250	37.34	1.470	33.58	1.322	3.18	.125	33.45	1.317	37.46	1.475	38.35	1.510
24	34.92	1.375	40.54	1.596	36.63	1.442	3.91	.154	36.50	1.437	40.64	1.600	41.53	1.635

MIL-DTL-26500