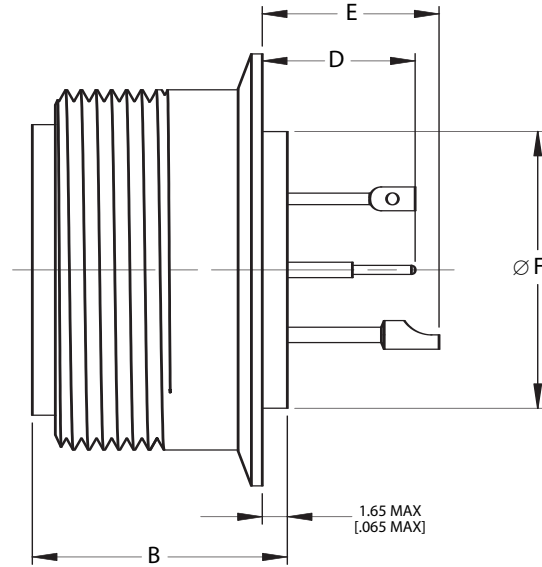
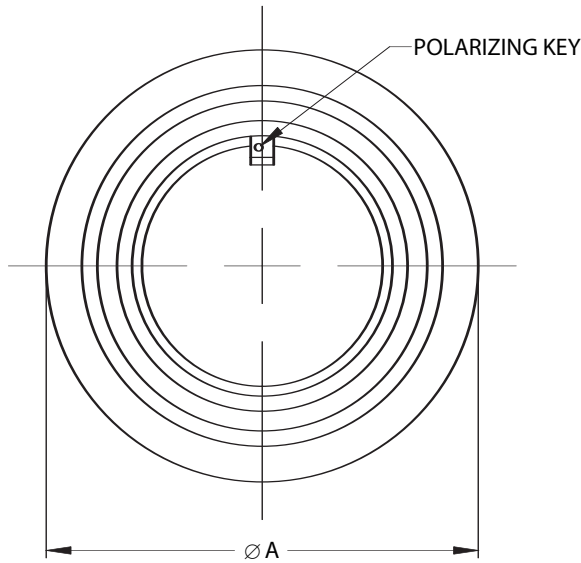


AE543
Solder Mount Receptacle
MS3143



Contact Size	D		E	
	Maximum		Maximum	
	mm	inch	mm	inch
16	5.56	.219	9.50	.374
12	7.10	.280	13.10	.516
8	/	/	18.25	.719
4	/	/	24.90	.980
0	/	/	24.90	.980



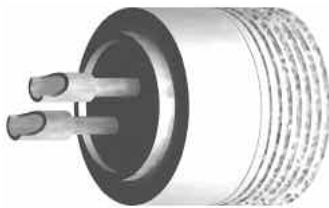
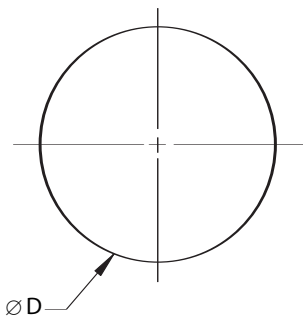
Shell Size	B				$\varnothing F$		$\varnothing A$	
	#16, #12, and #8 Maximum		#4 and #0 Maximum		Maximum		± 0.25	$\pm .010$
	mm	inch	mm	inch	mm	inch	mm	inch
10 SL	18.54	.730	/	/	12.70	.500	22.23	.875
12 S	18.54	.730	/	/	16.70	.657	25.40	1.000
14 S	18.54	.730	/	/	18.30	.720	28.58	1.125
16 S	18.54	.730	26.41	1.040	21.50	.846	31.75	1.250
12	23.24	.915	/	/	16.70	.657	25.40	1.000
14	23.24	.915	/	/	18.30	.720	28.58	1.125
16	23.24	.915	26.41	1.040	21.50	.846	31.75	1.250
18	23.24	.915	26.41	1.040	24.60	.969	34.93	1.375
20	23.24	.915	26.41	1.040	29.40	1.157	38.10	1.500
22	23.24	.915	26.41	1.040	31.90	1.256	41.28	1.625
24	23.24	.915	26.41	1.040	34.90	1.374	44.45	1.750

MIL-DTL-5015

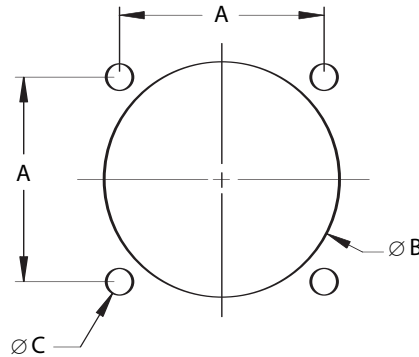


Panel Cutouts

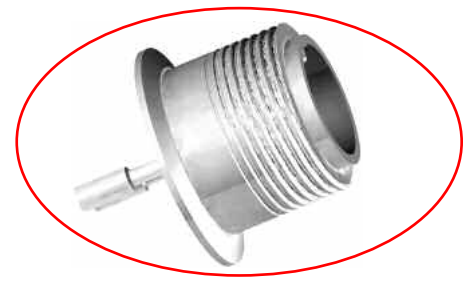
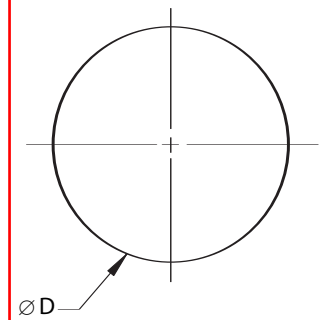
AE541
Solder Mount Receptacle



AE542
Wall Mount Receptacle



AE543
Solder Mount Receptacle



Shell Size	A		Ø B		Ø C		Ø D	
	(TP)		± 0.40	±.016	+0.25 -0.13	+0.010 -.005	± 0.05	±.002
	mm	inch	mm	inch	mm	inch	mm	inch
10 SL	18.26	.719	15.90	.626	3.05	.120	12.80	.504
12 S	20.62	.812	19.10	.752	3.05	.120	16.80	.661
14 S	23.01	.906	22.20	.874	3.05	.120	18.40	.724
16 S	24.61	.969	25.40	1.000	3.05	.120	21.60	.850
12	20.62	.812	19.10	.752	3.05	.120	16.80	.661
14	23.01	.906	22.20	.874	3.05	.120	18.40	.724
16	24.61	.969	25.40	1.000	3.05	.120	21.60	.850
18	26.97	1.062	28.60	1.126	3.05	.120	24.70	.972
20	29.36	1.152	31.80	1.252	3.05	.120	29.50	1.161
22	31.75	1.250	35.00	1.378	3.05	.120	32.00	1.260
24	34.93	1.375	38.10	1.500	3.73	.147	35.00	1.378