

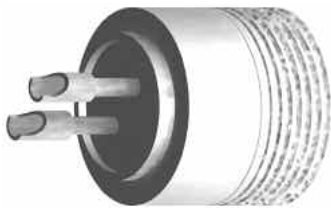
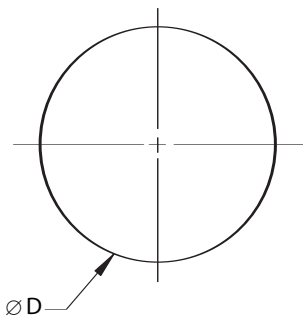
Contact Size	F		G		H	
	Maximum		Maximum		Maximum	
	mm	inch	mm	inch	mm	inch
16	5.56	.219	9.50	.374	5.56	.219
12	7.10	.280	13.10	.516	7.10	.280
8	/	/	18.25	.719	/	/
4	/	/	24.90	.980	/	/
0	/	/	24.90	.980	/	/



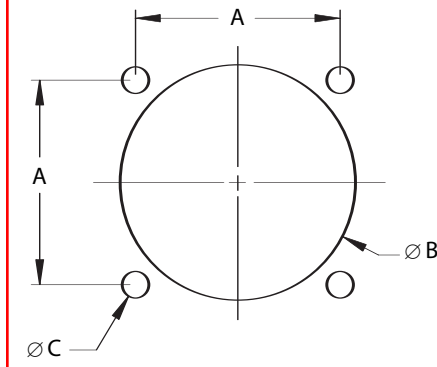
Shell Size	A		B		Ø C		D				E
	± 0.79		(TP)		± 0.40		#16, #12, and #8 Maximum		#4 and #0 Maximum		Thread
	mm	inch	mm	inch	mm	inch	mm	inch	mm	inch	Class 2A
10 SL	25.40	1.000	18.26	.719	3.05	.120	18.54	.730	/	/	.625-24 UNEF
12 S	27.79	1.094	20.62	.812	3.05	.120	18.54	.730	/	/	.750-20 UNEF
14 S	30.18	1.188	23.01	.906	3.05	.120	18.54	.730	/	/	.875-20 UNEF
16 S	32.54	1.281	24.61	.969	3.05	.120	18.54	.730	26.41	1.040	1.000-20 UNEF
12	27.79	1.094	20.62	.812	3.05	.120	23.24	.915	/	/	.750-20 UNEF
14	30.18	1.188	23.01	.906	3.05	.120	23.24	.915	/	/	.875-20 UNEF
16	32.54	1.281	24.61	.969	3.05	.120	23.24	.915	26.41	1.040	1.000-20 UNEF
18	34.93	1.375	26.97	1.062	3.05	.120	23.24	.915	26.41	1.040	1.125-18 UNEF
20	38.10	1.500	29.36	1.152	3.05	.120	23.24	.915	26.41	1.040	1.250-18 UNEF
22	41.28	1.625	31.75	1.250	3.05	.120	23.24	.915	26.41	1.040	1.375-18 UNEF
24	44.45	1.750	34.93	1.375	3.73	.147	23.24	.915	26.41	1.040	1.500-18 UNEF

Panel Cutouts

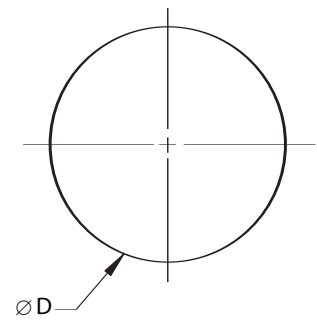
AE541
Solder Mount Receptacle



AE542
Wall Mount Receptacle



AE543
Solder Mount Receptacle



Shell Size	A		Ø B		Ø C		Ø D	
	(TP)		± 0.40	±.016	+0.25 -0.13	+0.10 -.005	± 0.05	±.002
	mm	inch	mm	inch	mm	inch	mm	inch
10 SL	18.26	.719	15.90	.626	3.05	.120	12.80	.504
12 S	20.62	.812	19.10	.752	3.05	.120	16.80	.661
14 S	23.01	.906	22.20	.874	3.05	.120	18.40	.724
16 S	24.61	.969	25.40	1.000	3.05	.120	21.60	.850
12	20.62	.812	19.10	.752	3.05	.120	16.80	.661
14	23.01	.906	22.20	.874	3.05	.120	18.40	.724
16	24.61	.969	25.40	1.000	3.05	.120	21.60	.850
18	26.97	1.062	28.60	1.126	3.05	.120	24.70	.972
20	29.36	1.152	31.80	1.252	3.05	.120	29.50	1.161
22	31.75	1.250	35.00	1.378	3.05	.120	32.00	1.260
24	34.93	1.375	38.10	1.500	3.73	.147	35.00	1.378