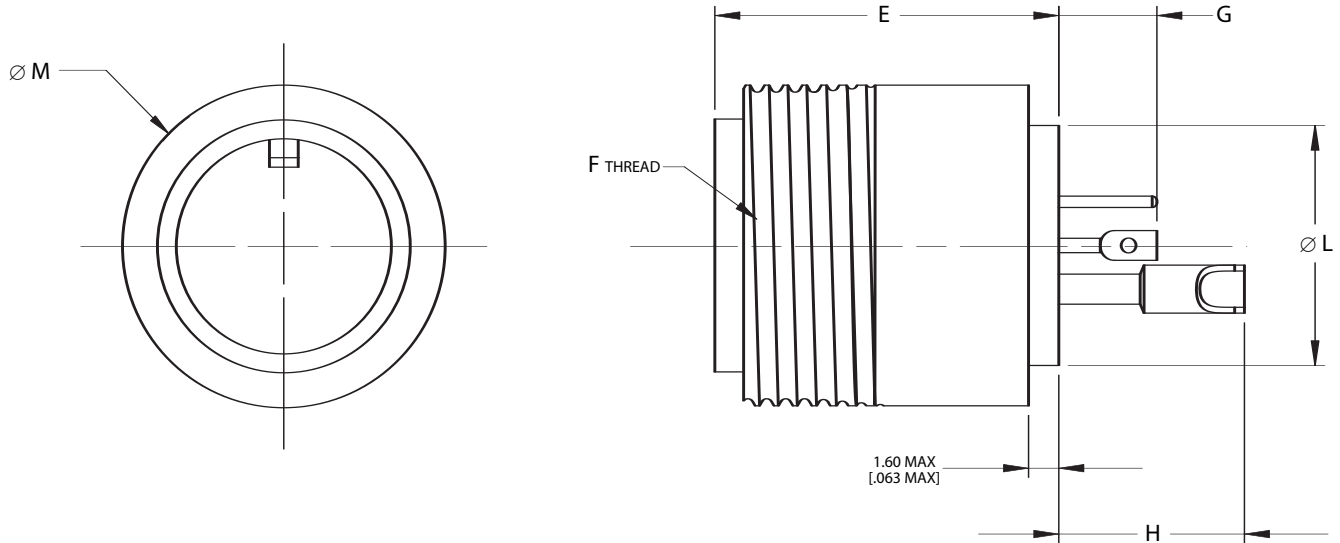
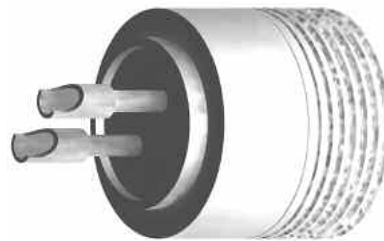


# AE541 Solder Mount Receptacle – Less Flange



Contact Size	G		H	
	Maximum		Maximum	
	mm	inch	mm	inch
16	5.56	.219	9.50	.374
12	7.10	.280	13.10	.516
8	/	/	18.25	.719
4	/	/	24.90	.980
0	/	/	24.90	.980

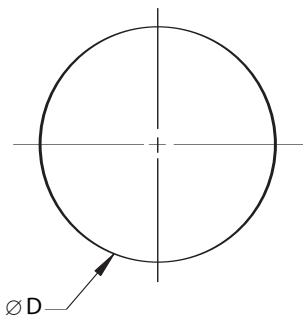


Shell Size	E				Ø L		F	Ø M	
	#16, #12, and #8 Maximum		#4 and #0 Maximum		Maximum		Thread	Maximum	
	mm	inch	mm	inch	mm	inch	Class 2A	mm	inch
10 SL	18.54	.730	/	/	12.70	.500	.625-24 UNEF	15.90	.626
12 S	18.54	.730	/	/	16.70	.657	.750-20 UNEF	19.10	.752
14 S	18.54	.730	/	/	18.30	.720	.875-20 UNEF	22.20	.874
16 S	18.54	.730	26.41	1.040	21.50	.846	1.000-20 UNEF	25.40	1.000
12	23.24	.915	/	/	16.70	.657	.750-20 UNEF	19.10	.752
14	23.24	.915	/	/	18.30	.720	.875-20 UNEF	22.20	.874
16	23.24	.915	26.41	1.040	21.50	.846	1.000-20 UNEF	25.40	1.000
18	23.24	.915	26.41	1.040	24.60	.969	1.125-18 UNEF	28.60	1.126
20	23.24	.915	26.41	1.040	29.40	1.157	1.250-18 UNEF	31.80	1.252
22	23.24	.915	26.41	1.040	31.90	1.256	1.375-18 UNEF	35.00	1.378
24	23.24	.915	26.41	1.040	34.90	1.374	1.500-18 UNEF	38.10	1.500

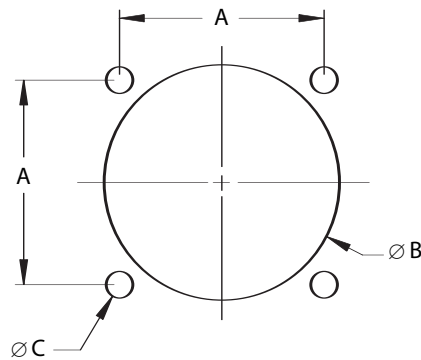
MIL-DTL-5015

Panel Cutouts

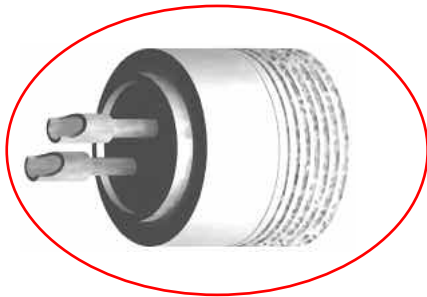
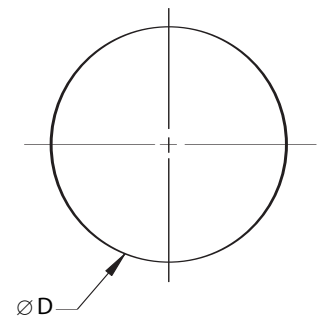
AE541  
Solder Mount Receptacle



AE542  
Wall Mount Receptacle



AE543  
Solder Mount Receptacle



Shell Size	A		Ø B		Ø C		Ø D	
	(TP)		± 0.40	±.016	+0.25 -0.13	+0.010 -.005	± 0.05	±.002
	mm	inch	mm	inch	mm	inch	mm	inch
10 SL	18.26	.719	15.90	.626	3.05	.120	12.80	.504
12 S	20.62	.812	19.10	.752	3.05	.120	16.80	.661
14 S	23.01	.906	22.20	.874	3.05	.120	18.40	.724
16 S	24.61	.969	25.40	1.000	3.05	.120	21.60	.850
12	20.62	.812	19.10	.752	3.05	.120	16.80	.661
14	23.01	.906	22.20	.874	3.05	.120	18.40	.724
16	24.61	.969	25.40	1.000	3.05	.120	21.60	.850
18	26.97	1.062	28.60	1.126	3.05	.120	24.70	.972
20	29.36	1.152	31.80	1.252	3.05	.120	29.50	1.161
22	31.75	1.250	35.00	1.378	3.05	.120	32.00	1.260
24	34.93	1.375	38.10	1.500	3.73	.147	35.00	1.378