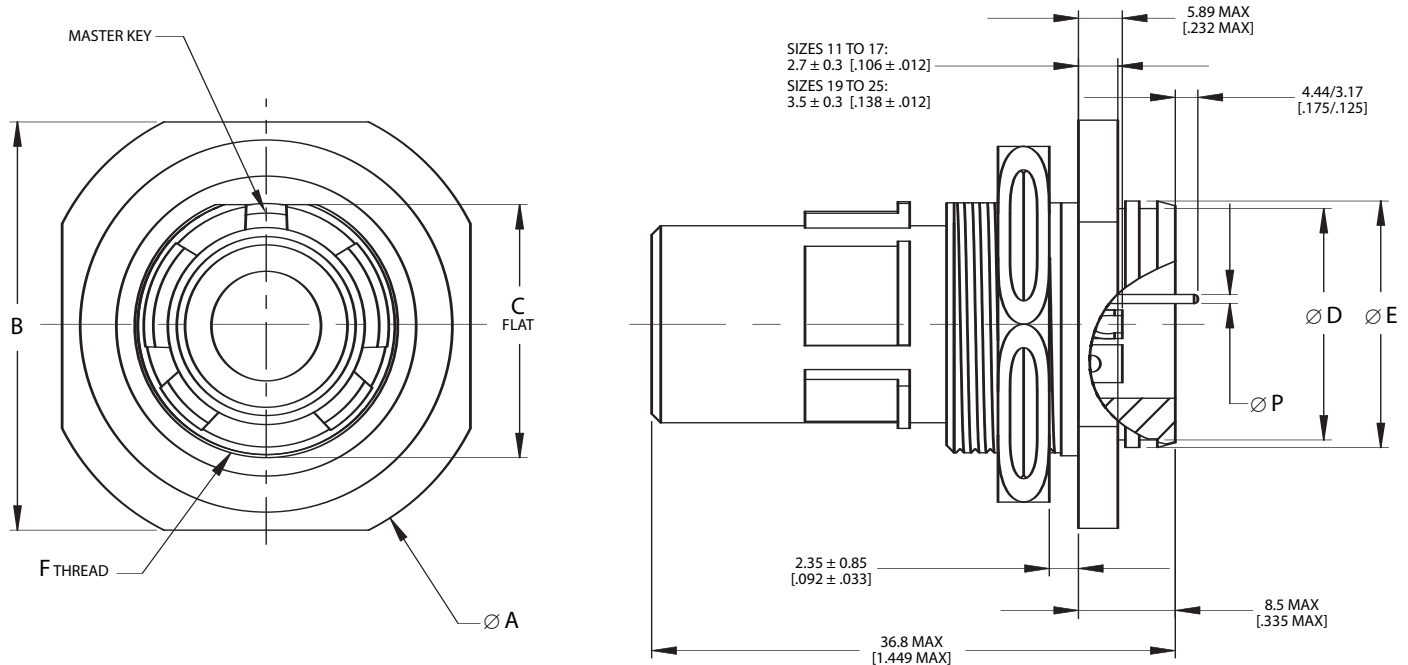


**AE443**  
**Jam Nut Receptacle**  
**D38999/43**



MIL-DTL-38999 S IV



Contact Size	Ø P	
	mm	inch
22D	0.28	.011
	0.38	.015
20	0.60	.024
	0.70	.028
16	1.56	.061
	1.61	.063
12	2.36	.093
	2.41	.095



**Note:** Jam nut connectors are delivered with hex nut D38999/28 and O-ring seal.

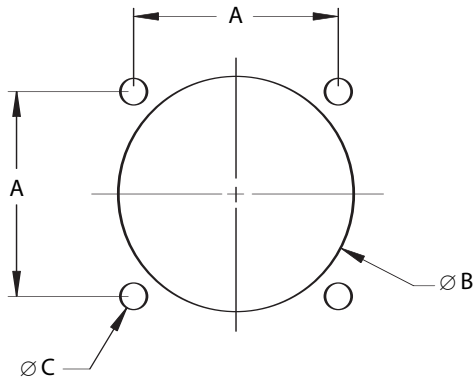
Shell Size	Shell Size Code	Ø A		B		C		Ø D		Ø E		F
		Flat										
		±0.30	±.012	±0.45	±.018	±0.13	±.005	±0.20	±.008	±0.25	±.010	
		mm	inch	mm	inch	mm	inch	mm	inch	mm	inch	
11	B	34.90	1.374	31.75	1.250	19.05	.750	18.40	.724	19.55	.770	M20x1-6g 0.100R
13	C	38.10	1.500	34.95	1.376	23.80	.937	21.55	.848	22.85	.900	M25x1-6g 0.100R
15	D	41.30	1.626	38.15	1.502	26.95	1.061	24.80	.976	26.05	1.026	M28x1-6g 0.100R
17	E	44.50	1.752	41.25	1.624	30.13	1.186	27.95	1.100	29.15	1.148	M32x1-6g 0.100R
19	F	49.20	1.937	46.05	1.813	33.31	1.311	31.20	1.228	32.35	1.274	M35x1-6g 0.100R
21	G	52.40	2.063	49.25	1.939	36.49	1.437	34.30	1.350	35.55	1.400	M38x1-6g 0.100R
23	H	55.60	2.189	52.35	2.061	39.64	1.561	37.50	1.476	38.75	1.526	M41x1-6g 0.100R
25	J	58.70	2.311	55.55	2.187	42.85	1.687	40.70	1.602	41.85	1.648	M44x1-6g 0.100R

**AE4 Series**  
**Hermetic Connectors**  
 per MIL-DTL-38999 Series IV

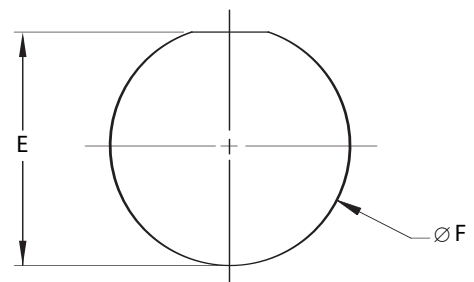


Panel Cutouts

AE441  
 Wall Mount Receptacle



AE443  
 Jam Nut Receptacle



Shell Size	Shell Size Code	A		Ø B		Ø B		Ø C		E		Ø F	
		(TP)		Minimum Back Mounting		Minimum Front Mounting		±0.13	±.005	0.00	.000	+0.25	+0.10
		mm	inch	mm	inch	mm	inch	mm	inch	mm	inch	mm	inch
11	B	20.62	.812	20.22	.796	15.88	.625	3.25	.128	19.59	.771	20.96	.825
13	C	23.01	.906	23.42	.922	19.05	.750	3.25	.128	24.26	.955	25.65	1.010
15	D	24.61	.969	26.59	1.047	23.01	.906	3.25	.128	27.56	1.085	28.83	1.135
17	E	26.97	1.062	30.96	1.219	25.81	1.016	3.25	.128	30.73	1.210	32.01	1.260
19	F	29.36	1.156	32.94	1.297	28.98	1.141	3.25	.128	33.91	1.335	35.18	1.385
21	G	31.75	1.250	36.12	1.422	32.16	1.266	3.25	.128	37.08	1.460	38.35	1.510
23	H	34.93	1.375	39.29	1.547	34.93	1.375	3.91	.154	40.26	1.585	41.53	1.635
25	J	38.10	1.500	42.47	1.672	37.69	1.484	3.91	.154	43.43	1.710	44.70	1.760

MIL-DTL-38999 S IV