

Contact Size	Ø L	
	mm	inch
22D	0.28	.011
	0.38	.015
20	0.60	.024
	0.70	.028
16	1.56	.061
	1.61	.063
12	2.36	.093
	2.41	.095

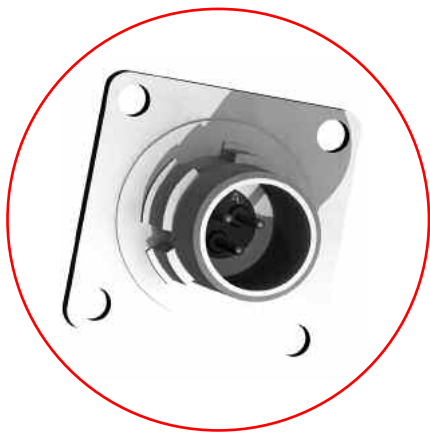
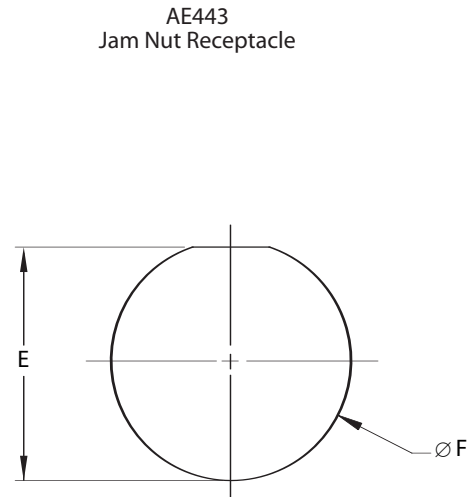
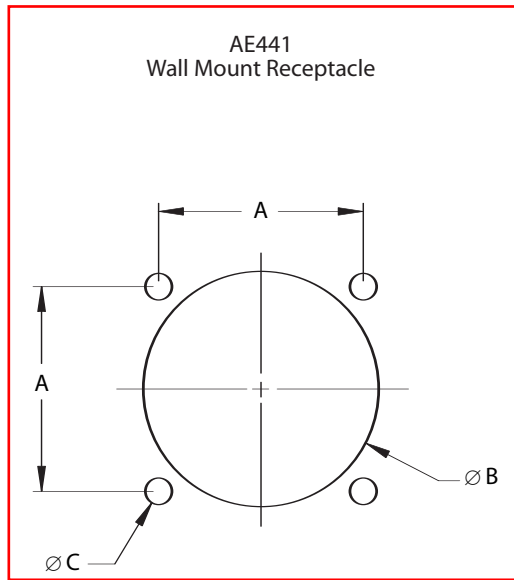


Shell Size	Shell Size Code	A		B		Ø C		Ø D		Ø E	
		±0.55	±.022	(TP)		±0.19	±.007	±0.20	±.008	Maximum	
		mm	inch	mm	inch	mm	inch	mm	inch	mm	inch
11	B	26.15	1.030	20.62	.812	19.96	.786	3.30	.130	15.88	.625
13	C	28.55	1.124	23.01	.906	23.16	.912	3.30	.130	19.05	.750
15	D	30.95	1.219	24.61	.969	26.33	1.037	3.30	.130	23.01	.906
17	E	33.35	1.313	26.97	1.062	29.53	1.163	3.30	.130	25.81	1.016
19	F	36.55	1.439	29.36	1.156	32.68	1.287	3.30	.130	28.98	1.141
21	G	39.65	1.561	31.75	1.250	35.86	1.412	3.30	.130	32.16	1.266
23	H	42.85	1.687	34.92	1.375	39.03	1.536	3.80	.150	34.93	1.375
25	J	46.05	1.813	38.10	1.500	42.21	1.662	3.80	.150	37.69	1.484

AE4 Series
Hermetic Connectors
 per MIL-DTL-38999 Series IV



Panel Cutouts



Shell Size	Shell Size Code	A		Ø B		Ø B		Ø C		E		Ø F	
		(TP)		Minimum Back Mounting		Minimum Front Mounting		±0.13	±.005	0.00	.000	+0.25	+0.10
		mm	inch	mm	inch	mm	inch	mm	inch	mm	inch	mm	inch
11	B	20.62	.812	20.22	.796	15.88	.625	3.25	.128	19.59	.771	20.96	.825
13	C	23.01	.906	23.42	.922	19.05	.750	3.25	.128	24.26	.955	25.65	1.010
15	D	24.61	.969	26.59	1.047	23.01	.906	3.25	.128	27.56	1.085	28.83	1.135
17	E	26.97	1.062	30.96	1.219	25.81	1.016	3.25	.128	30.73	1.210	32.01	1.260
19	F	29.36	1.156	32.94	1.297	28.98	1.141	3.25	.128	33.91	1.335	35.18	1.385
21	G	31.75	1.250	36.12	1.422	32.16	1.266	3.25	.128	37.08	1.460	38.35	1.510
23	H	34.93	1.375	39.29	1.547	34.93	1.375	3.91	.154	40.26	1.585	41.53	1.635
25	J	38.10	1.500	42.47	1.672	37.69	1.484	3.91	.154	43.43	1.710	44.70	1.760