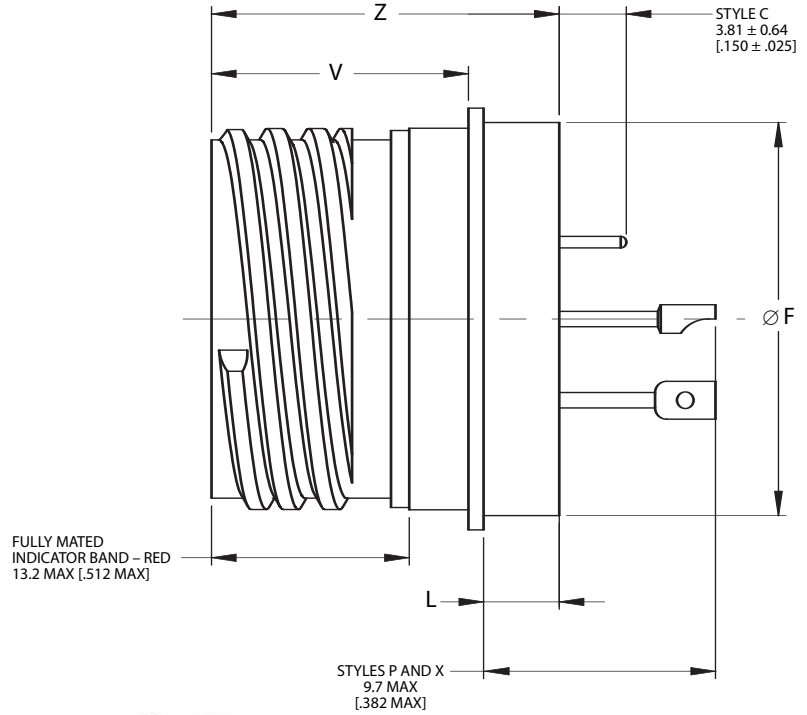
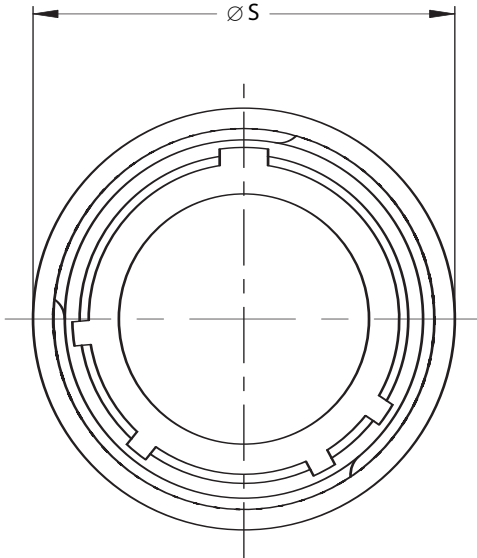


AE325
Solder Mount Receptacle
D38999/25 – EN3645Y1



MIL-DTL-38999 S III



Shell Size	Shell Size Code	Ø F		L		Ø S		V		Z	
		Maximum		Maximum		Maximum		Maximum		Maximum	
		mm	inch	mm	inch	mm	inch	mm	inch	mm	inch
9	A	17.10	.673	5.10	.201	19.40	.764	17.20	.677	23.80	.937
11	B	19.90	.783	5.10	.201	21.80	.858	17.20	.677	23.80	.937
13	C	23.10	.909	5.10	.201	24.90	.980	17.20	.677	23.80	.937
15	D	26.30	1.035	5.10	.201	28.10	1.106	17.20	.677	23.80	.937
17	E	29.40	1.157	5.10	.201	31.80	1.252	17.20	.677	23.80	.937
19	F	31.80	1.252	5.10	.201	33.60	1.323	17.20	.677	23.80	.937
21	G	35.00	1.378	5.10	.201	36.80	1.449	17.20	.677	23.80	.937
23	H	38.20	1.504	5.90	.232	40.00	1.575	17.20	.677	24.60	.969
25	J	41.40	1.630	5.90	.232	43.20	1.701	17.20	.677	24.60	.969