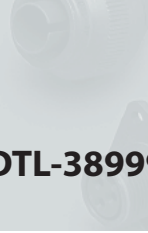


MIL-DTL-38999 S III

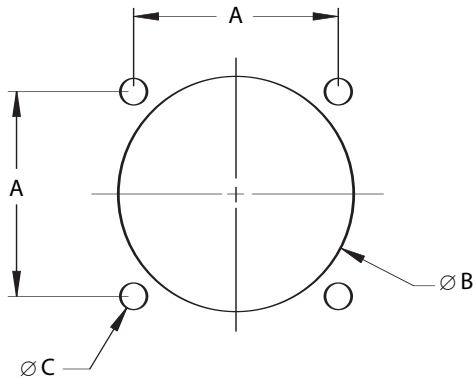
Note: Jam nut connectors are delivered with hex nut D38999/28 and O-ring seal.

Shell Size	Shell Size Code	Ø A		B		G	K		S		W		Z		
		±0.30	±.012	Flat			Thread	Maximum		±0.40	±.016	+0.30	+0.012	Maximum	
		mm	inch	+0.10	+0.004			mm	inch	mm	inch	mm	inch	mm	inch
9	A	30.20	1.189	16.53	.651	M17x1-6g 0.100R	5.30	.209	27.00	1.063	2.60	.102	29.20	1.150	
11	B	34.90	1.374	19.07	.751	M20x1-6g 0.100R	5.30	.209	31.80	1.252	2.60	.102	29.20	1.150	
13	C	38.10	1.500	23.82	.938	M25x1-6g 0.100R	5.10	.201	34.90	1.374	2.60	.102	29.20	1.150	
15	D	41.30	1.626	26.97	1.062	M28x1-6g 0.100R	5.10	.201	38.10	1.500	2.60	.102	29.20	1.150	
17	E	44.50	1.752	30.15	1.187	M32x1-6g 0.100R	5.10	.201	41.30	1.626	2.60	.102	29.20	1.150	
19	F	49.20	1.937	33.32	1.312	M35x1-6g 0.100R	5.10	.201	46.00	1.811	3.40	.134	30.10	1.185	
21	G	52.40	2.063	36.5	1.437	M38x1-6g 0.100R	5.10	.201	49.20	1.937	3.40	.134	30.10	1.185	
23	H	55.60	2.189	39.67	1.562	M41x1-6g 0.100R	5.10	.201	52.40	2.063	3.40	.134	30.10	1.185	
25	J	58.70	2.311	42.85	1.687	M44x1-6g 0.100R	5.10	.201	55.60	2.189	3.40	.134	30.10	1.185	

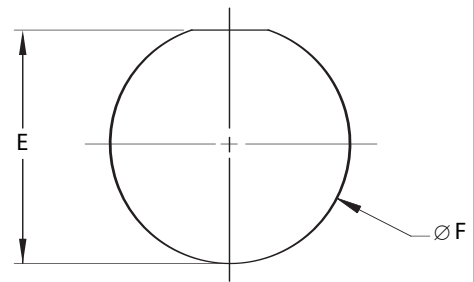


Panel Cutouts

AE321
 Wall Mount Receptacle



AE323
 Jam Nut Receptacle



MIL-DTL-38999 S III

Shell Size	Shell Size Code	A		Ø B		Ø B		Ø C		E		Ø F	
		(TP)		Minimum Back Mounting		Minimum Front Mounting		±0.13	±.005	0.00	.000	+0.25	+.010
		mm	inch	mm	inch	mm	inch	mm	inch	mm	inch	mm	inch
9	A	18.26	.719	16.66	.656	13.11	.516	3.25	.128	17.02	.670	17.78	.700
11	B	20.62	.812	20.22	.796	15.88	.625	3.25	.128	19.59	.771	20.96	.825
13	C	23.01	.906	23.42	.922	19.05	.750	3.25	.128	24.26	.955	25.65	1.010
15	D	24.61	.969	26.59	1.047	23.01	.906	3.25	.128	27.56	1.085	28.83	1.135
17	E	26.97	1.062	30.96	1.219	25.81	1.016	3.25	.128	30.73	1.210	32.01	1.260
19	F	29.36	1.156	32.94	1.297	28.98	1.141	3.25	.128	33.91	1.335	35.18	1.385
21	G	31.75	1.250	36.12	1.422	32.16	1.266	3.25	.128	37.08	1.460	38.35	1.510
23	H	34.93	1.375	39.29	1.547	34.93	1.375	3.91	.154	40.26	1.585	41.53	1.635
25	J	38.10	1.500	42.47	1.672	37.69	1.484	3.91	.154	43.43	1.710	44.70	1.760