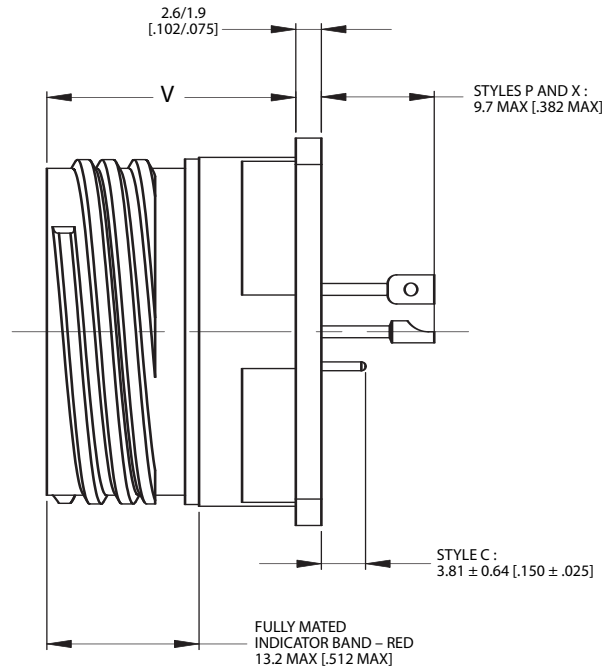
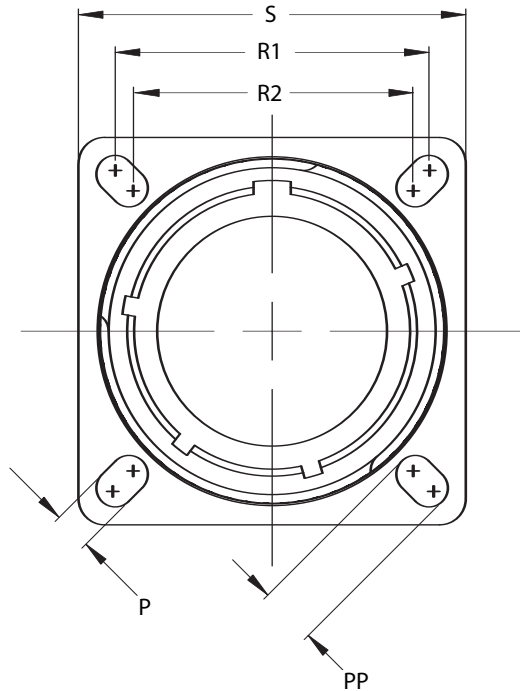


**AE321**  
**Wall Mount Receptacle**  
**D38999/21 – EN3645Y0**



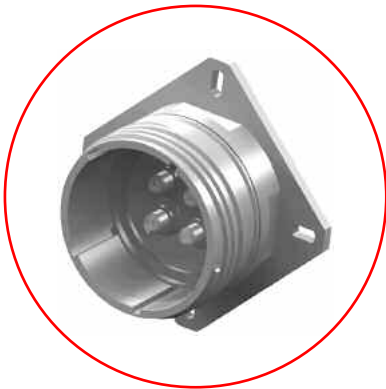
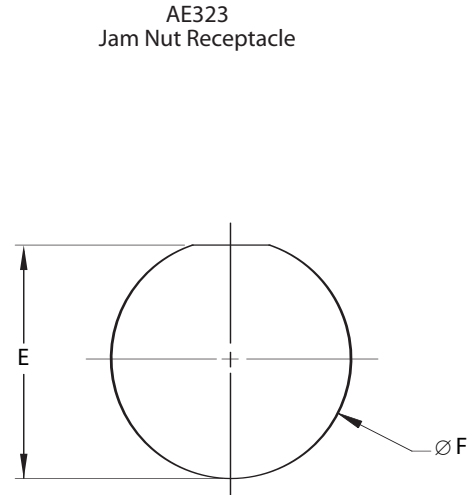
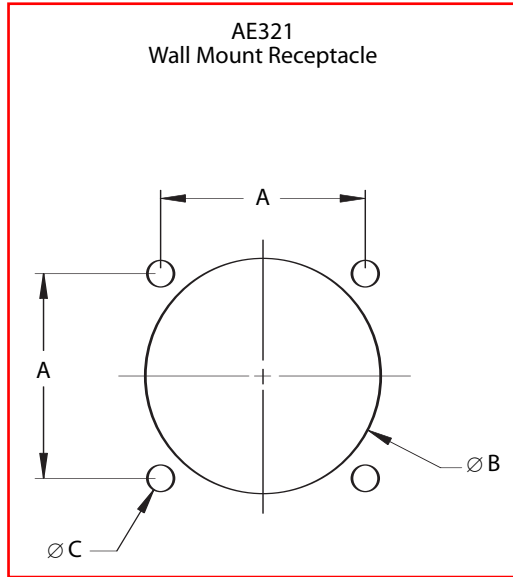
MIL-DTL-38999 S III



Shell Size	Shell Size Code	P		PP		R1		R2		S		V	
		$\pm 0.20$	$\pm 0.008$	$\pm 0.20$	$\pm 0.008$	(TP)		(TP)		$\pm 0.30$	$\pm 0.012$	Maximum	
		mm	inch	mm	inch	mm	inch	mm	inch	mm	inch	mm	inch
9	A	3.25	.128	5.49	.216	18.26	.719	15.09	.594	23.8	.937	21.40	.843
11	B	3.25	.128	4.93	.194	20.62	.812	18.26	.719	26.20	1.031	21.40	.843
13	C	3.25	.128	4.93	.194	23.01	.906	20.62	.812	28.60	1.126	21.40	.843
15	D	3.25	.128	4.93	.194	24.61	.969	23.01	.906	31.00	1.220	21.40	.843
17	E	3.25	.128	4.93	.194	26.97	1.062	24.61	.969	33.30	1.311	21.40	.843
19	F	3.25	.128	4.93	.194	29.36	1.156	26.97	1.062	36.50	1.437	21.40	.843
21	G	3.25	.128	4.93	.194	31.75	1.250	29.36	1.156	39.70	1.563	21.40	.843
23	H	3.91	.154	6.15	.242	34.93	1.375	31.75	1.250	42.90	1.689	21.40	.843
25	J	3.91	.154	6.15	.242	38.10	1.500	34.93	1.375	46.00	1.811	21.40	.843



Panel Cutouts



Shell Size	Shell Size Code	A		Ø B		Ø B		Ø C		E		Ø F	
		(TP)		Minimum Back Mounting		Minimum Front Mounting		±0.13	±.005	0.00	.000	+0.25	+.010
		mm	inch	mm	inch	mm	inch	mm	inch	mm	inch	mm	inch
9	A	18.26	.719	16.66	.656	13.11	.516	3.25	.128	17.02	.670	17.78	.700
11	B	20.62	.812	20.22	.796	15.88	.625	3.25	.128	19.59	.771	20.96	.825
13	C	23.01	.906	23.42	.922	19.05	.750	3.25	.128	24.26	.955	25.65	1.010
15	D	24.61	.969	26.59	1.047	23.01	.906	3.25	.128	27.56	1.085	28.83	1.135
17	E	26.97	1.062	30.96	1.219	25.81	1.016	3.25	.128	30.73	1.210	32.01	1.260
19	F	29.36	1.156	32.94	1.297	28.98	1.141	3.25	.128	33.91	1.335	35.18	1.385
21	G	31.75	1.250	36.12	1.422	32.16	1.266	3.25	.128	37.08	1.460	38.35	1.510
23	H	34.93	1.375	39.29	1.547	34.93	1.375	3.91	.154	40.26	1.585	41.53	1.635
25	J	38.10	1.500	42.47	1.672	37.69	1.484	3.91	.154	43.43	1.710	44.70	1.760