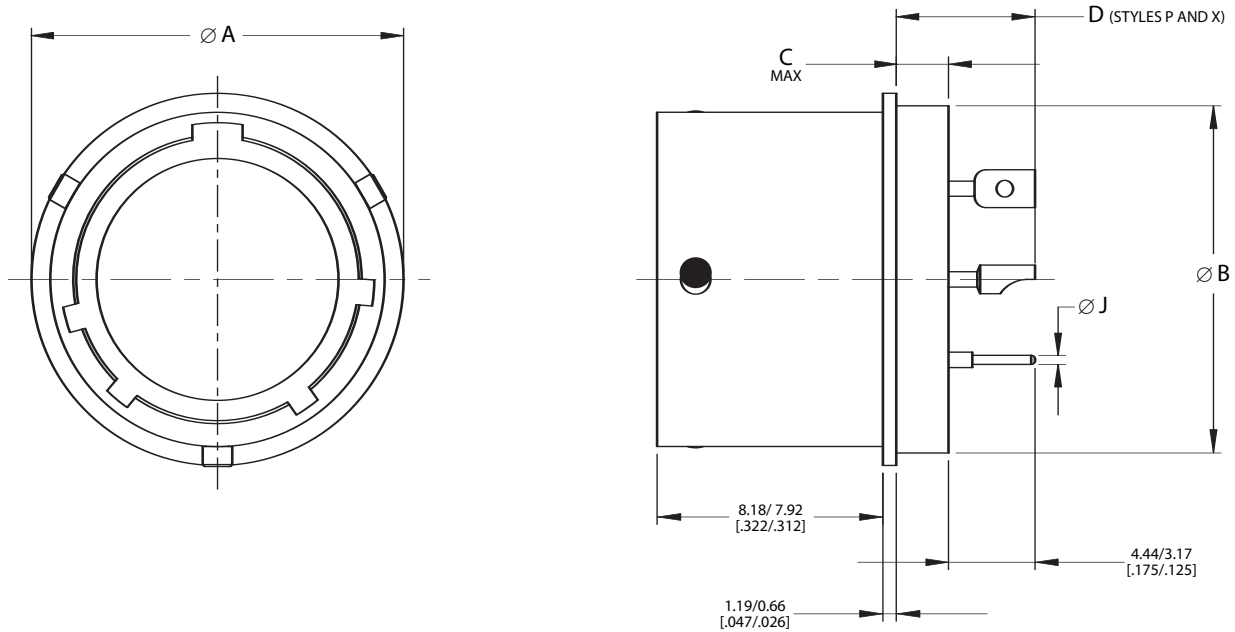


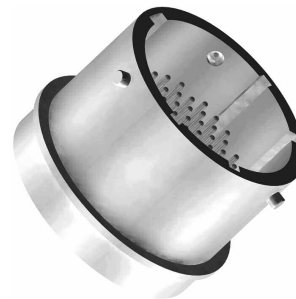
**AE278**  
**Solder Mount Receptacle**  
**MS27478**



MIL-DTL-38999 S II



Contact Size	Ø J	
	mm	inch
22D	0.28	.011
	0.38	.015
20	0.60	.024
	0.70	.028
16	1.56	.061
	1.61	.063
12	2.36	.093
	2.41	.095



Shell Size	Ø A		Ø B		C		D	
	+0.28	+0.011	+0.03	+0.001	Maximum		Maximum	
	-0.25	-0.010	-0.13	-0.005	mm	inch	mm	inch
8	17.45	.687	14.27	.562	3.17	.125	9.52	.375
10	20.24	.797	17.07	.672	3.17	.125	9.52	.375
12	23.01	.906	19.84	.781	3.17	.125	9.52	.375
14	26.19	1.031	23.01	.906	3.17	.125	9.52	.375
16	29.36	1.156	26.19	1.031	3.17	.125	9.52	.375
18	32.54	1.281	29.36	1.156	3.17	.125	9.52	.375
20	34.92	1.375	31.75	1.250	3.17	.125	9.52	.375
22	38.10	1.500	34.92	1.375	3.96	.156	9.52	.375
24	41.27	1.625	38.10	1.500	3.96	.156	9.52	.375