

PANEL THICKNESS : 2.77/1.57 [.109/.062]

MIL-DTL-38999 S II

Contact Size	Ø M	
	mm	inch
22D	0.28	.011
	0.38	.015
20	0.60	.024
	0.70	.028
16	1.56	.061
	1.61	.063
12	2.36	.093
	2.41	.095



Note: Jam nut connectors are delivered with hex nut MS27512 and O-ring seal.

Shell Size	A	Ø B		C		D		E		F	
	Thread			Flat				Maximum			
	Class 2A	±0.41	±.015	+0.03 -0.15	+.001 -.006	±0.41	±.015			±0.13	±.005
		mm	inch	mm	inch	mm	inch	mm	inch	mm	inch
8	.8750-20 UNEF	34.92	1.375	20.75	.817	31.75	1.250	7.14	.281	11.13	.438
10	1.000-20 UNEF	38.10	1.500	23.90	.941	34.93	1.375	7.14	.281	11.13	.438
12	1.125-18 UNEF	41.27	1.625	27.05	1.065	38.10	1.500	7.14	.281	11.13	.438
14	1.250-18 UNEF	44.45	1.750	30.23	1.190	41.28	1.625	7.14	.281	11.13	.438
16	1.375-18 UNEF	49.23	1.938	33.53	1.320	45.24	1.781	7.14	.281	11.13	.438
18	1.500-18 UNEF	51.21	2.016	36.58	1.440	48.01	1.890	7.14	.281	11.13	.438
20	1.625-18 UNEF	54.38	2.141	39.75	1.565	51.21	2.016	6.35	.250	11.79	.441
22	1.750-18 UNS	57.53	2.265	42.93	1.690	54.36	2.140	6.35	.250	11.79	.441
24	1.8750-16 UN	60.71	2.390	46.10	1.815	57.53	2.265	6.35	.250	11.79	.441

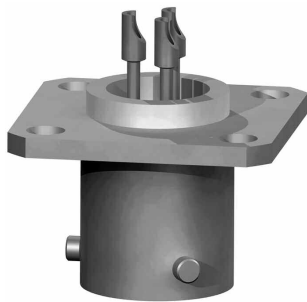
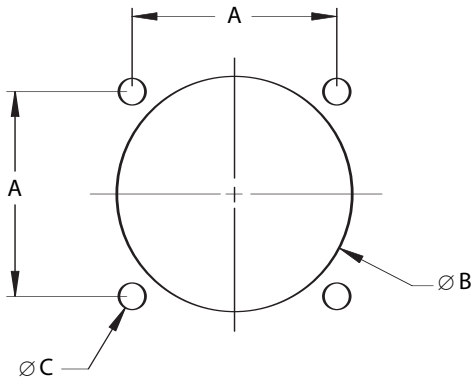
AE2 Series
Hermetic Connectors
 per MIL-DTL-38999 Series II



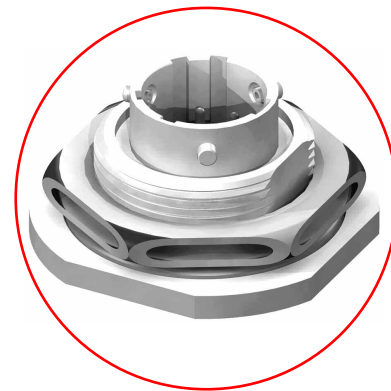
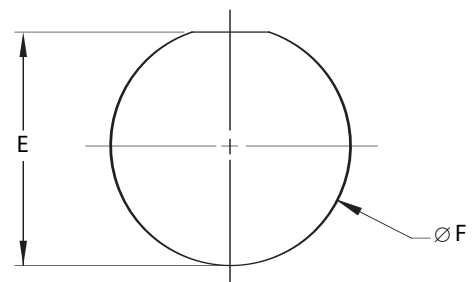
Panel Cutouts

MIL-DTL-38999 S II

AE276
 Wall Mount Receptacle



AE277
 Jam Nut Receptacle



Shell Size	A		$\varnothing B$		$\varnothing C$		E		$\varnothing F$	
	(TP)		Minimum		± 0.13	± 0.005	0.00	.000	+0.25	+0.010
	mm	inch	mm	inch	mm	inch	mm	inch	mm	inch
8	15.09	.594	14.15	.557	3.25	.128	21.08	.830	22.48	.885
10	18.26	.719	17.32	.682	3.25	.128	24.26	.955	25.65	1.010
12	20.62	.812	21.69	.854	3.25	.128	27.56	1.085	28.83	1.135
14	23.01	.906	24.87	.979	3.25	.128	30.73	1.210	32.01	1.260
16	24.61	.969	28.04	1.104	3.25	.128	33.91	1.335	35.18	1.385
18	26.97	1.062	31.22	1.229	3.25	.128	37.08	1.460	38.35	1.510
20	29.36	1.156	34.39	1.354	3.25	.128	40.26	1.585	41.53	1.635
22	31.75	1.250	37.57	1.479	3.25	.128	43.42	1.709	44.70	1.760
24	34.93	1.375	40.74	1.604	3.91	.154	46.61	1.835	47.88	1.885