

Shell Size	Ø R		H		K		F		P		
	±0.4	±.016	#20 ±0.7	±.028	#16 and #12 ±0.7	±.028	Thread	±0.51	±.020	±0.4	±.016
	mm	inch	mm	inch	mm	inch	Class 2A	mm	inch	mm	inch
8	26.99	1.063	3.80	.150	4.60	.181	0.6250-20 UN	2.97	.117	24.50	.965
10	29.89	1.177	3.80	.150	4.60	.181	0.7500-20 UNEF	2.97	.117	27.65	1.089
12	34.66	1.365	3.80	.150	4.60	.181	0.9380-20 UNEF	2.97	.117	32.40	1.276
14	38.12	1.501	3.80	.150	4.60	.181	1.000-20 UNEF	2.97	.117	34.94	1.376
16	41.29	1.626	3.80	.150	4.60	.181	1.1250-18 UNEF	2.97	.117	38.12	1.501
18	44.47	1.751	3.80	.150	4.60	.181	1.2500-18 UNEF	2.97	.117	41.29	1.626
20	49.24	1.939	3.80	.150	4.60	.181	1.3750-18 UNEF	2.97	.117	44.47	1.751
22	52.39	2.063	3.80	.150	4.60	.181	1.5000-18 UNEF	3.51*	.138*	49.24	1.939
24	55.04	2.167	3.50	.138	4.30	.169	1.6250-18 UNEF	3.51*	.138*	52.42	2.064

* ± 0.26 * ± .010



Tightening Torque of Jam Nut



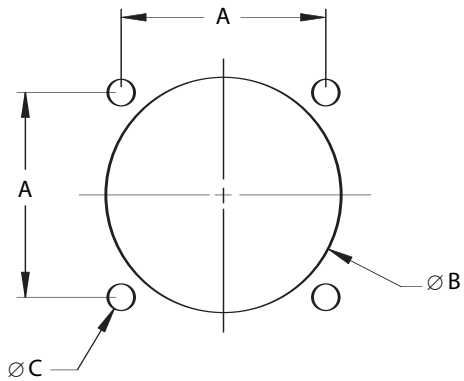
Note: For recommended service use, torque settings to be in accordance with the table below.

Shell Size	Torque	
	±10%	±.10%
	N.m	in.lbs
8	7	62
10	10	89
12	12	106
14	15	133
16	18	160
18	22	195
20	25	222
22	27	239
24	29	257

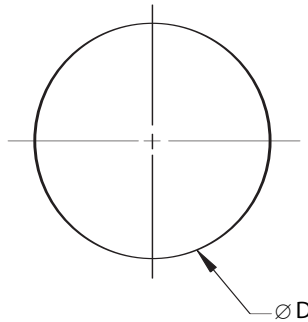


Panel Cutouts

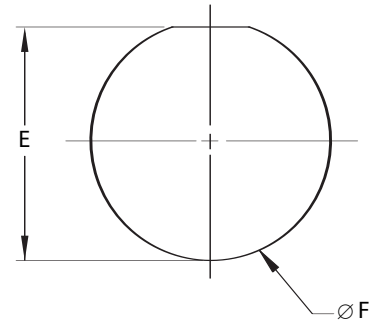
TYPE 0
Square Flange Receptacle



TYPE 1
Solder Mount Receptacle



TYPE 7
Jam Nut Receptacle



EN 2997

Shell Size	A		B		Ø C		E		Ø F		Ø D	
	(TP)		Minimum		±0.1	±.004	±0.13	±.005	Minimum		Minimum	
	mm	inch	mm	inch	mm	inch	mm	inch	mm	inch	mm	inch
8	15.09	.594	15.80	.622	3.20	.126	15.37	.605	16.13	.635	12.96	.510
10	18.26	.719	18.70	.736	3.20	.126	18.54	.730	19.30	.760	14.53	.572
12	20.62	.812	23.40	.921	3.20	.126	23.29	.917	24.05	.947	19.30	.760
14	23.01	.906	24.90	.980	3.20	.126	24.89	.980	25.65	1.010	20.88	.822
16	24.61	.969	28.30	1.114	3.20	.126	28.07	1.105	28.83	1.135	24.05	.947
18	26.97	1.062	31.10	1.224	3.20	.126	31.12	1.225	32.00	1.260	27.23	1.072
20	29.36	1.156	34.50	1.358	3.20	.126	34.29	1.350	35.18	1.385	30.40	1.197
22	31.75	1.250	37.50	1.476	3.20	.126	37.46	1.475	38.35	1.510	33.58	1.322
24	34.92	1.375	40.60	1.598	3.80	.150	40.64	1.600	41.53	1.635	36.75	1.447