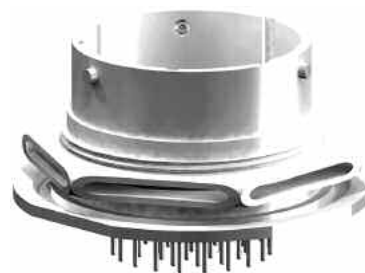


Shell Size	F		H				K	P		Ø R	
	±0.51	±.020	#20 Maximum		#16 & #12 Maximum		Thread	±0.39	±.015	±0.39	±.015
	mm	inch	mm	inch	mm	inch	Class 2A	mm	inch	mm	inch
8	2.97	.117	4.57	.180	5.33	.210	5/8-20 UN	24.50	.965	26.99	1.063
10	2.97	.117	4.57	.180	5.33	.210	3/4-20 UNEF	27.65	1.089	29.89	1.177
12	2.97	.117	4.57	.180	5.33	.210	15/16-20 UNEF	32.40	1.276	34.66	1.365
14	2.97	.117	4.57	.180	5.33	.210	1-20 UNEF	34.94	1.376	38.12	1.501
16	2.97	.117	4.57	.180	5.33	.210	1-1/8-20 UN	38.12	1.501	41.29	1.626
18	2.97	.117	4.57	.180	5.33	.210	1-1/4 UN	41.29	1.626	44.47	1.751
20	2.97	.117	4.57	.180	5.33	.210	1-3/8-18 UNEF	44.47	1.751	49.24	1.939
22	3.51 *	.138 *	4.57	.180	5.33	.210	1-1/2-20 UN	49.24	1.939	52.39	2.063
24	3.51 *	.138 *	4.57	.180	5.33	.210	1-5/8-18 UNEF	52.42	2.064	55.04	2.167

\* ±0.26      \* ±.010



Tightening Torque of Jam Nut

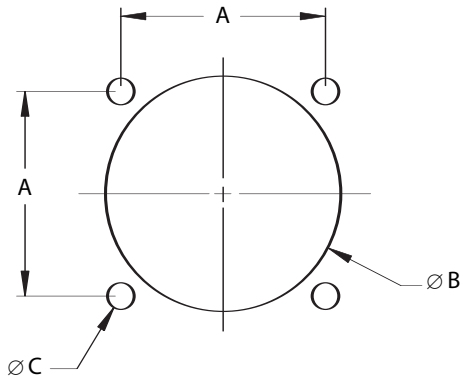


**Note:** For recommended service use, torque settings to be in accordance with the table below.

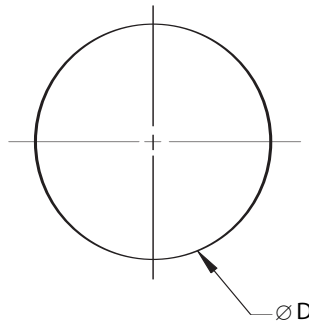
Shell Size	Torque	
	±10%	±10%
	N.m	in.lbs
8	7	62
10	10	89
12	12	106
14	15	133
16	18	160
18	22	195
20	25	222
22	27	239
24	29	257

Panel Cutouts

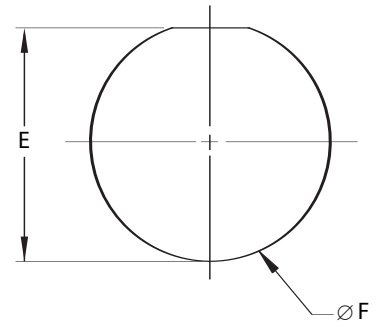
AE83379 / AE83388  
 Box Mount Receptacle



AE83380 / AE83393 / AE83390  
 Solder Mount Receptacle



AE83381 / AE83394 / AE83389  
 Jam Nut Receptacle



MIL-DTL-83723 S III

Shell Size	A		Ø B		Ø B		Ø C		Ø D		E		Ø F	
	(TP)		Back Mounting Minimum		Front Mounting Minimum		0.00	.000	±0.13	±.005	±0.13	±.005	±0.13	±.005
	mm	inch	mm	inch	mm	inch	mm	inch	mm	inch	mm	inch	mm	inch
8	15.09	.594	15.75	.620	12.95	.510	3.18	.125	12.96	.510	15.37	.605	16.13	.635
10	18.26	.719	19.00	.750	16.13	.635	3.18	.125	14.53	.572	18.54	.730	19.30	.760
12	20.62	.812	23.32	.918	19.30	.760	3.18	.125	19.30	.760	23.29	.917	24.05	.947
14	23.01	.906	25.10	.988	22.48	.885	3.18	.125	20.88	.822	24.89	.980	25.65	1.010
16	24.61	.969	28.30	1.114	25.65	1.010	3.18	.125	24.05	.947	28.07	1.105	28.83	1.135
18	26.97	1.062	30.99	1.220	27.23	1.072	3.18	.125	27.23	1.072	31.12	1.225	32.00	1.260
20	29.36	1.156	34.19	1.346	30.40	1.197	3.18	.125	30.40	1.197	34.29	1.350	35.18	1.385
22	31.75	1.250	37.34	1.470	33.58	1.322	3.18	.125	33.58	1.322	37.46	1.475	38.35	1.510
24	34.92	1.375	40.54	1.596	36.63	1.442	3.91	.154	36.75	1.447	40.64	1.600	41.53	1.635