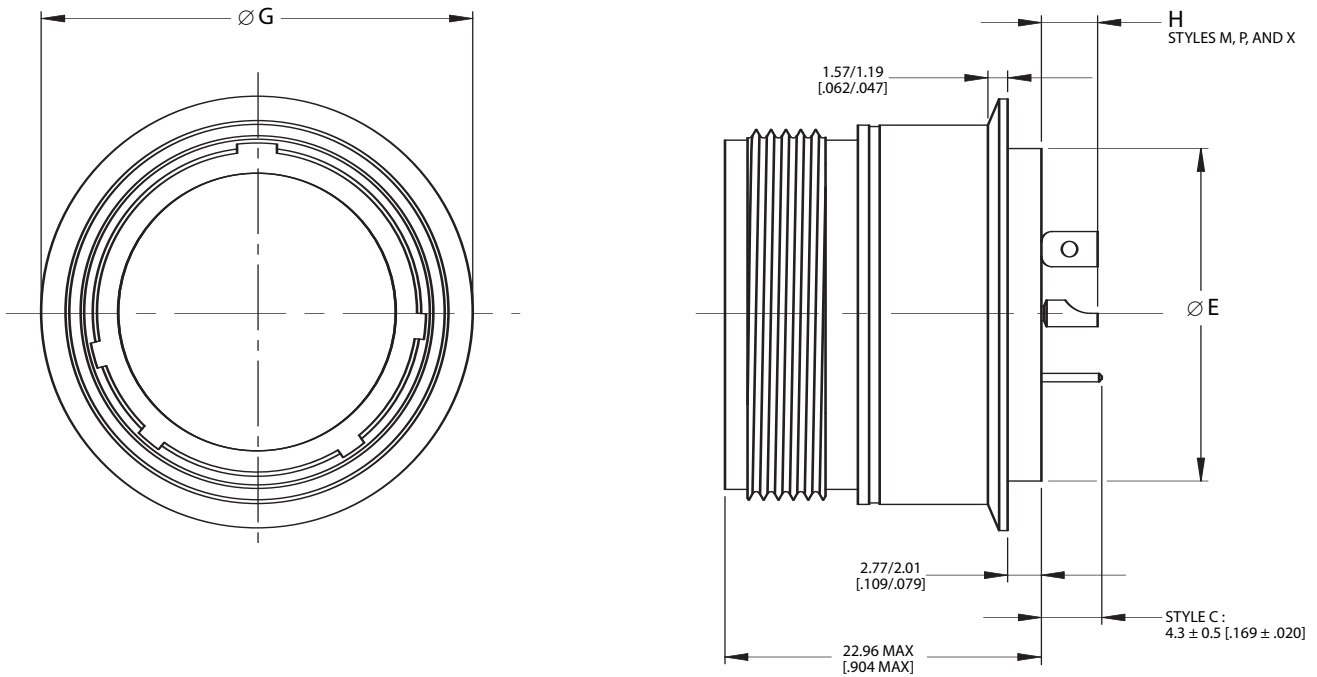


8000 Y1 and YE1
Solder Mount Receptacle
EN2997 Y1 and YE1



EN 2997

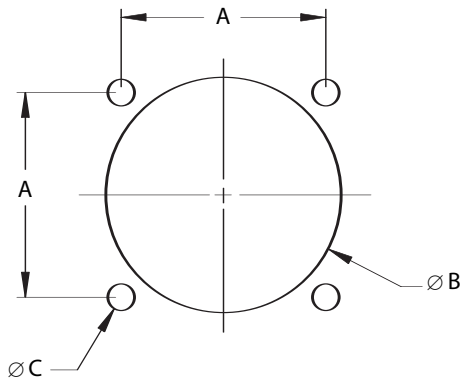


Shell Size	Ø E		G		H			
	±0.07	±.002	Maximum		#20		#16 & #12	
	mm	inch	mm	inch	±0.7	±.028	±0.7	±.028
8	12.63	.497	18.36	.723	4.20	.165	4.93	.194
10	14.20	.559	21.59	.850	4.20	.165	4.93	.194
12	18.98	.747	26.8	1.055	4.20	.165	4.93	.194
14	20.55	.809	27.94	1.100	4.20	.165	4.93	.194
16	23.73	.934	30.99	1.220	4.20	.165	4.93	.194
18	26.90	1.059	34.39	1.354	4.20	.165	4.93	.194
20	30.08	1.184	37.34	1.470	4.20	.165	4.93	.194
22	33.25	1.309	40.64	1.600	4.20	.165	4.93	.194
24	36.43	1.434	43.68	1.720	4.20	.165	4.93	.194

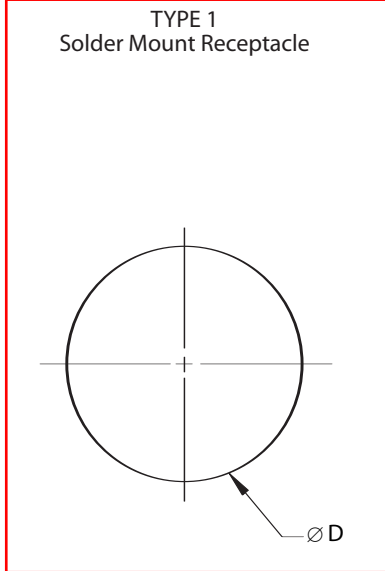


Panel Cutouts

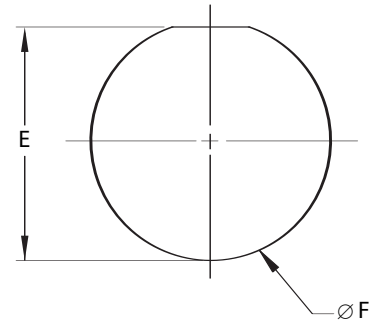
TYPE 0
Square Flange Receptacle



TYPE 1
Solder Mount Receptacle



TYPE 7
Jam Nut Receptacle



EN 2997

Shell Size	A		B		Ø C		E		Ø F		Ø D	
	(TP)		Minimum		±0.1	±.004	±0.13	±.005	Minimum		Minimum	
	mm	inch	mm	inch	mm	inch	mm	inch	mm	inch	mm	inch
8	15.09	.594	15.80	.622	3.20	.126	15.37	.605	16.13	.635	12.96	.510
10	18.26	.719	18.70	.736	3.20	.126	18.54	.730	19.30	.760	14.53	.572
12	20.62	.812	23.40	.921	3.20	.126	23.29	.917	24.05	.947	19.30	.760
14	23.01	.906	24.90	.980	3.20	.126	24.89	.980	25.65	1.010	20.88	.822
16	24.61	.969	28.30	1.114	3.20	.126	28.07	1.105	28.83	1.135	24.05	.947
18	26.97	1.062	31.10	1.224	3.20	.126	31.12	1.225	32.00	1.260	27.23	1.072
20	29.36	1.156	34.50	1.358	3.20	.126	34.29	1.350	35.18	1.385	30.40	1.197
22	31.75	1.250	37.50	1.476	3.20	.126	37.46	1.475	38.35	1.510	33.58	1.322
24	34.92	1.375	40.60	1.598	3.80	.150	40.64	1.600	41.53	1.635	36.75	1.447