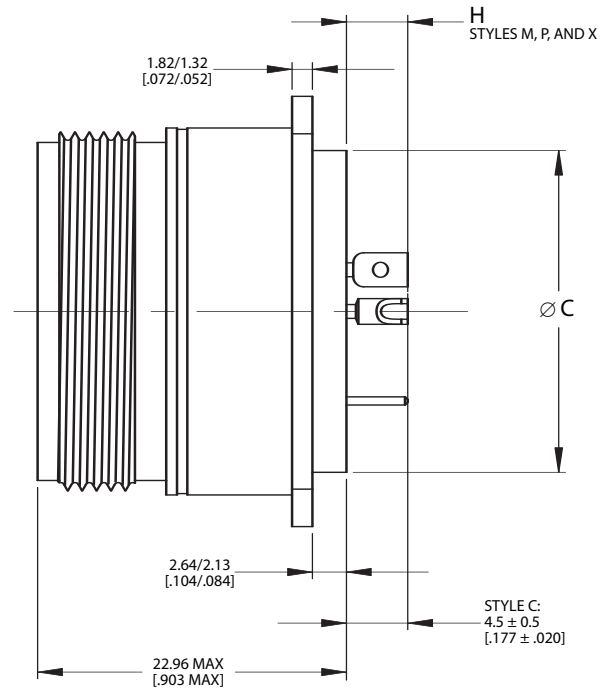
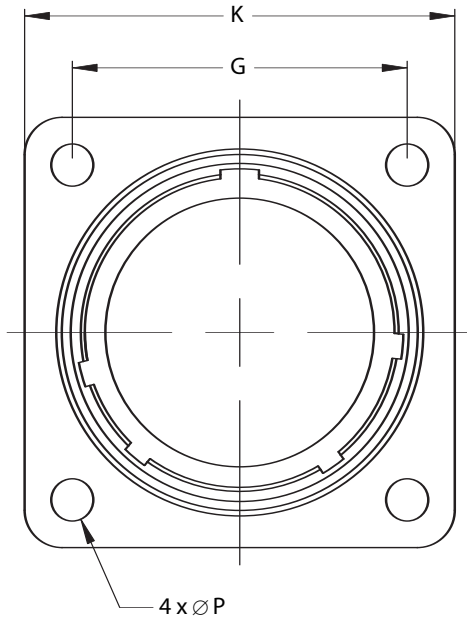


8000 Y0 and YE0
Wall Mount Receptacle
EN2997 Y0 and YE0

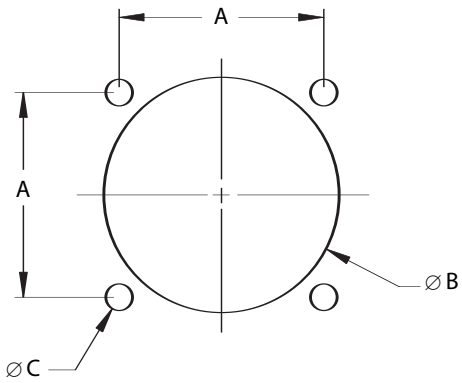


EN 2997

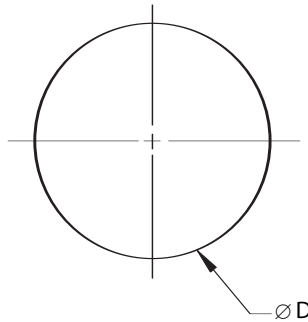
Shell Size	Ø C		H				K		G		Ø P	
	±0.07	±.002	#20		#16 and #12		Maximum		Maximum		±0.1	±.004
	mm	inch	mm	inch	mm	inch	mm	inch	mm	inch	mm	inch
8	12.63	.497	4.20	.165	4.93	.194	20.75	.817	15.09	.594	3.20	.126
10	14.20	.559	4.20	.165	4.93	.194	23.93	.942	18.26	.719	3.20	.126
12	18.98	.747	4.20	.165	4.93	.194	26.32	1.036	20.62	.812	3.20	.126
14	20.55	.809	4.20	.165	4.93	.194	28.71	1.130	23.01	.906	3.20	.126
16	23.73	.934	4.20	.165	4.93	.194	31.88	1.255	24.61	.969	3.20	.126
18	26.90	1.059	4.20	.165	4.93	.194	34.24	1.348	26.97	1.062	3.20	.126
20	30.08	1.184	4.20	.165	4.93	.194	36.63	1.442	29.36	1.156	3.20	.126
22	33.25	1.309	4.20	.165	4.93	.194	39.80	1.567	31.75	1.250	3.80	.126
24	36.43	1.434	4.20	.165	4.93	.194	43.39	1.708	34.92	1.375	3.80	.126

Panel Cutouts

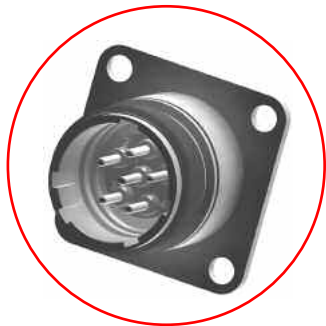
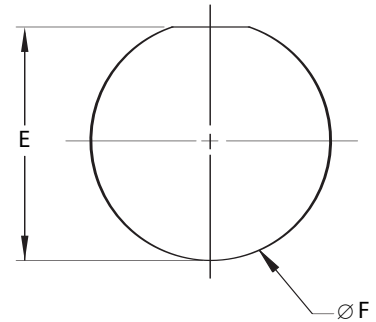
TYPE 0
Square Flange Receptacle



TYPE 1
Solder Mount Receptacle



TYPE 7
Jam Nut Receptacle



Shell Size	A		B		Ø C		E		Ø F		Ø D	
	(TP)		Minimum		±0.1	±.004	±0.13	±.005	Minimum		Minimum	
	mm	inch	mm	inch	mm	inch	mm	inch	mm	inch	mm	inch
8	15.09	.594	15.80	.622	3.20	.126	15.37	.605	16.13	.635	12.96	.510
10	18.26	.719	18.70	.736	3.20	.126	18.54	.730	19.30	.760	14.53	.572
12	20.62	.812	23.40	.921	3.20	.126	23.29	.917	24.05	.947	19.30	.760
14	23.01	.906	24.90	.980	3.20	.126	24.89	.980	25.65	1.010	20.88	.822
16	24.61	.969	28.30	1.114	3.20	.126	28.07	1.105	28.83	1.135	24.05	.947
18	26.97	1.062	31.10	1.224	3.20	.126	31.12	1.225	32.00	1.260	27.23	1.072
20	29.36	1.156	34.50	1.358	3.20	.126	34.29	1.350	35.18	1.385	30.40	1.197
22	31.75	1.250	37.50	1.476	3.20	.126	37.46	1.475	38.35	1.510	33.58	1.322
24	34.92	1.375	40.60	1.598	3.80	.150	40.64	1.600	41.53	1.635	36.75	1.447